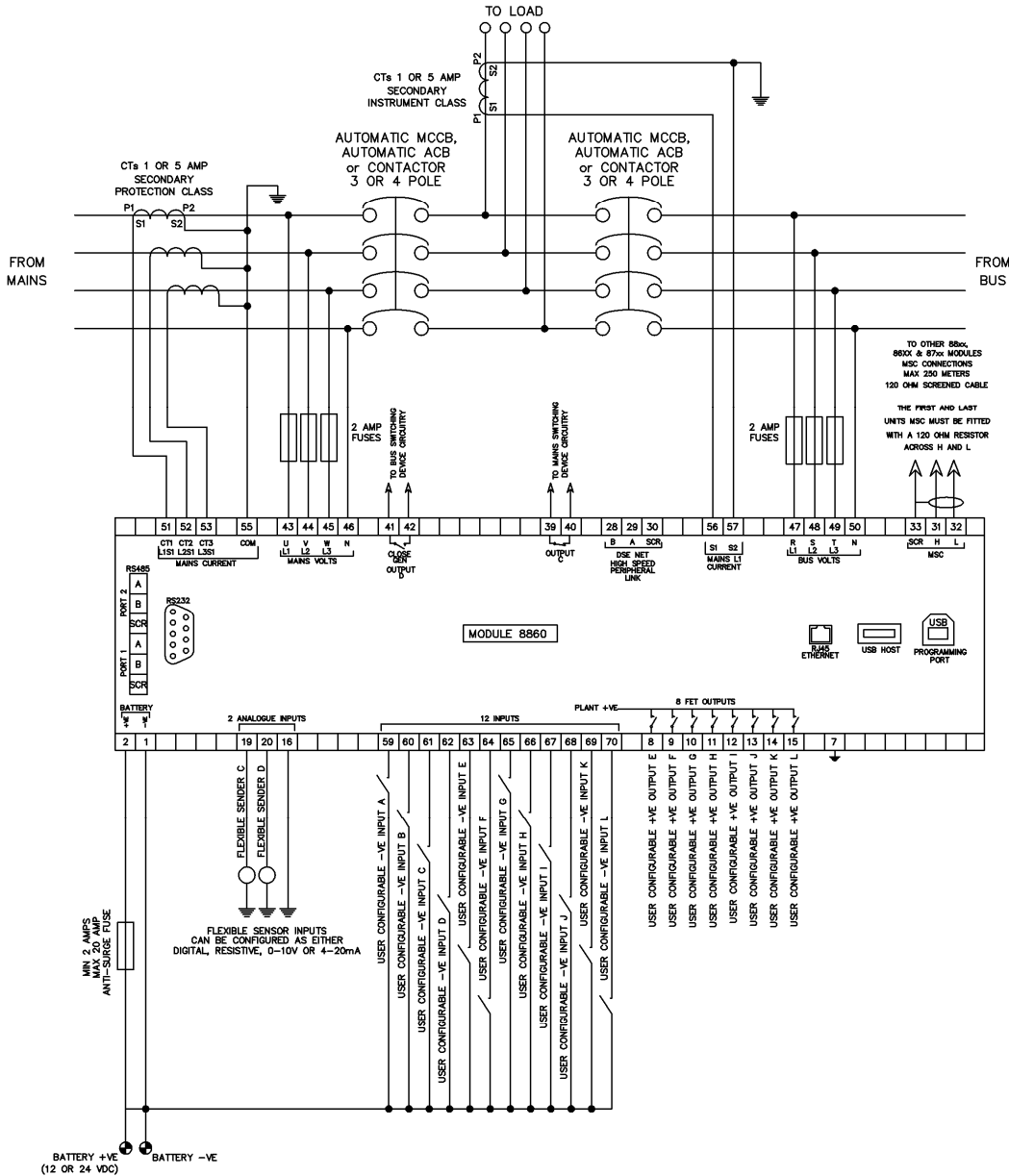


TYPICAL WIRING DIAGRAM

A larger version of the diagram is available in the products operators manual. DSE Part No: 057-173



DIMENSIONS AND MOUNTING

For flat surface mounting in a Type 1 enclosure

DIMENSIONS

245 mm x 184 mm x 50 mm (9.6" x 7.2" x 2.0")

PANEL CUTOUT

220mm x 160mm (8.7" x 6.3")



ACCESSING THE MAIN FRONT PANEL CONFIGURATION EDITOR

- Ensure the generator(s) is at rest and the module is in STOP mode by pressing the Stop/Reset button.
- Press and hold the Stop button and Tick button together.
- If a module security PIN has been set, the PIN number request is then shown.
- Press , the first '#' changes to '0'. Press (up) or (down) button to adjust it to the correct value.
- Press (right) button when the first digit is correctly entered. The digit you have just entered will now show '#' for security.
- The other digits of the PIN number. You can press (left) button if you need to move back to adjust one of the previous digits.
- When is pressed after editing the final PIN digit, the PIN is checked for validity. If the number is not correct, you must re-enter the PIN.
- If the PIN has been successfully entered (or the module PIN has not been enabled), the editor is displayed.

EDITING A PARAMETER

- Enter the editor as described above.
- Press the (up), (down), (left) and (right) to cycle to the section you wish to view/change.
- Then press (up) or (down) to cycle to the parameter within the section you have chosen.
- To edit the parameter, press to enter edit mode. The parameter is highlighted blue to indicate that you are editing the value.
- Press the up or down buttons to change the parameter to the required value.
- Press to save the value. The parameter ceases flashing to indicate that it has been saved.
- To exit the editor at any time, press and hold the or button.

NOTE: The PIN number is not set by DSE when the module leaves the factory. If the module has a PIN code set, this has been implemented by your generator supplier who should be contacted if you require the code. If the code has been 'lost' or 'forgotten', the module must be returned to the DSE factory to have the module's code removed. A charge will be made for this procedure. The PIN number is automatically reset when the editor is exited (manually or automatically) to ensure security.

NOTE: The editor automatically exits after 5 minutes of inactivity to ensure security.

ADJUSTABLE PARAMETERS (Front Panel Configuration Editor)

| Section | Parameter | Detail of Parameter | Parameter Action | Values |
|-------------------|----------------------|-----------------------|---------------------------|---|
| Timers | Start Timers | Start Delay | Remote Start Off Load | s |
| | | | Remote Start On Load | s |
| | | | Telemetry Start | s |
| | | | Mains Transient Delay | s |
| | Load/Stopping Timers | Load Timers | Tran Time/Load Delay | s |
| | Stopping Timers | Return Delay | s | |
| | Display | Display | Page Timer | mm: ss |
| Mains | Mains Options | AC System | 3 Phase, 4 wire Delta | |
| | | | 2 Phase, 3 Wire L1-L3 | |
| | | | 2 Phase, 3 Wire L1-L2 | |
| | | | 3 Phase, 3 Wire | |
| | | | Single Phase, 2 Wire | |
| | | | 3 Phase, 4 Wire | |
| | Mains Current | Current Options | CT Primary (L1,L2,L3,N) | 0A |
| | | | CT Secondary 5Amp / 1 Amp | 5 / 1 Amp |
| | Mains Voltage | Under Voltage Trip | Trip | 0V |
| | | | Nominal Voltage | Nominal Voltage |
| Over Voltage Trip | | | Trip | 0V |
| Mains Frequency | Under Frequency Trip | Trip | 0.0Hz | |
| | | Nominal Frequency | Nominal Frequency | 0.0Hz |
| | | Over Frequency Trip | Trip | 0.0Hz |
| Bus | Ramp | Ramp Speed | Ramp Speed | 0.0 %/s |
| | Load Demand | Load Demand | Calling For More Sets | 0 % |
| | | | Calling For Less Sets | 0 % |
| | Running | Running | Load Parallel Power | 0% |
| | | | | 0kVAr |
| | | | | 0% |
| | | | Load Power Factor | 0.00pf |
| | | | 0kVAr | |
| System | System options | Insufficient Capacity | Action | Warning / None / Indication / Electrical Trip |
| | | | Delay | s |
| | Plant Battery | Under Voltage Alarms | Under Volts Enable | Enabled / Disabled |
| | | | Under Volts Delay | mm:ss |
| | | | Under Volts Pre-Alarm | 0.0v |
| | | Over Voltage Alarms | Over Volts Enable | Enabled / Disabled |
| | | | Over volts Delay | mm:ss |
| | | | Over Volts Pre-Alarm | 0.0v |

ADJUSTABLE PARAMETERS (Maintenance Editor)

| Description | Action | Activation |
|----------------------------|---------|------------|
| USB Stick Removal | Request | Press |
| Clear AMF Alarm | Clear | |
| Min / Max Session Reset | Request | |
| Cancel Telemetry | Request | |
| Decoupling Test Mode | Request | |
| Clear Mains Decouple Alarm | Request | Button |

Deep Sea Electronics Plc.

Tel: +44 (0)1723 890099
 Fax: +44 (0)1723 893303
 Email: support@deepseapl.com
 Web: www.deepseapl.com

Deep Sea Electronics Inc.

Phone: +1 (815) 316-8706
 Fax: +1 (815) 316-8708
 TOLL FREE (USA only) : Tel: 1 866 636 9703
 Email: dsesales@deepseausa.com
 Web: www.deepseausa.com

ACCESSING AND EDIT THE 'MAINTENANCE' CONFIGURATION EDITOR

- The 'Maintenance' Editor can be entered while the generator(s) is running. All protections remain active if the generator(s) is running while the Maintenance Editor is entered.
- Press the (up) and (down) buttons together and hold to enter the 'Running' Editor.
- Press the (up) or (down) buttons to cycle to the section you wish to view / change.
- To change the action press (right) button to enter edit mode. The action is highlighted in blue to indicate selection.
- Press the (up) button to activate the action. The action will then change to show it has been activated.
- To change another action press (left) button to exit edit mode. The action is no longer highlighted in blue to indicate selection.
- Press the Tick button to exit the "Maintenance Configuration Editor".

ACCESSING AND EDIT THE 'RUNNING' CONFIGURATION EDITOR

- The 'Running' Editor can be entered while the generator(s) is running. All protections remain active if the generator(s) is running while the 'Running' Editor is entered.
- Press and hold the button to enter the 'Running' Editor.
- Press the (up), (down), (left) and (right) to cycle to the section you wish to view/change.
- Then press (up) or (down) to cycle to the parameter within the section you have chosen.
- To edit the parameter, press to enter edit mode. The parameter is highlighted blue to indicate that you are editing the value.
- Press the up or down buttons to change the parameter to the required value.
- Press to save the value. The parameter ceases flashing to indicate that it has been saved.
- Press and hold Tick button to exit the "Running Configuration Editor".

ADJUSTABLE PARAMETERS (Running Editor)

| Section | Parameter | Detail Of Parameter | Values |
|----------|----------------------|-----------------------|-----------------------------------|
| Language | Language | | Other |
| | | | English (United Kingdom) |
| Bus | Running | Load Power Factor | 0% |
| | | | 0.00pf |
| | | | 0kVAr |
| | Options | Load Parallel Power | 0% |
| | | | 0kW |
| | | Decoupling Test Mode | Disabled / Enabled |
| Display | Voltage | Voltage Adjust | 0% |
| | Frequency | Frequency Adjust | 0% |
| | Press/ Temp Units | Pressure | kPA / PSI / Bar |
| | | Temperature | Deg F / Deg C |
| | Volume Units | Volume | Litre / Gallons US / Gallons (UK) |
| | Display | LCD Backlight | 0 |
| | AC Graphics | AC Min / Max Enable | Enabled / Disabled |
| | | AC Meter Enable | Enabled / Disabled |
| | | THD Screen Enable | Enabled / Disabled |
| | | I/O | Multi Meter Mode |
| Alarm | | Alarm Alert Box | Enabled / Disabled |
| Summary | Summary Area Graphic | Bars / Connectors | |
| | Home | Commissioning Screens | Enabled / Disabled |
| Time | Module Time | | hh:mm:ss |
| | Module Date | | DD/ MM/ YYYY |
| | Date Format | | MM/ DD/ YYYY OR DD/ MM/ YYYY |