







## ACCESSING THE 'RUNNING' CONFIGURATION EDITOR

- The 'running' editor can be entered while either bus is live. All protections remain active if either bus is live while the running editor is entered.
- Press and hold the  button to enter the running editor

## EDITING A PARAMETER

- Enter the editor as described above.
- Press the up or down buttons to select the parameter you wish to view/change within the currently selected section.
- To edit the parameter, press  to enter edit mode. The parameter begins to flash to indicate that you are editing the value.
- Press the up or down buttons to change the parameter to the required value.
- Press  to save the value. The parameter ceases flashing to indicate that it has been saved.
- To exit the editor at any time, press and hold the  button.

## ADJUSTABLE PARAMETERS (Running editor)

### Running Editor

Section	Parameter as shown on display	Factory Settings
DISPLAY	Contrast	53%
	Language	English
	Page Timer	5m
	Scroll Timer	2s

### DIMENSIONS

240.0 mm x 181.1 mm x 41.7 mm (9.4 " x 7.1 " x 1.6 ")

### PANEL CUTOUT:

220 mm x 160 mm (8.7 " x 6.3 ")

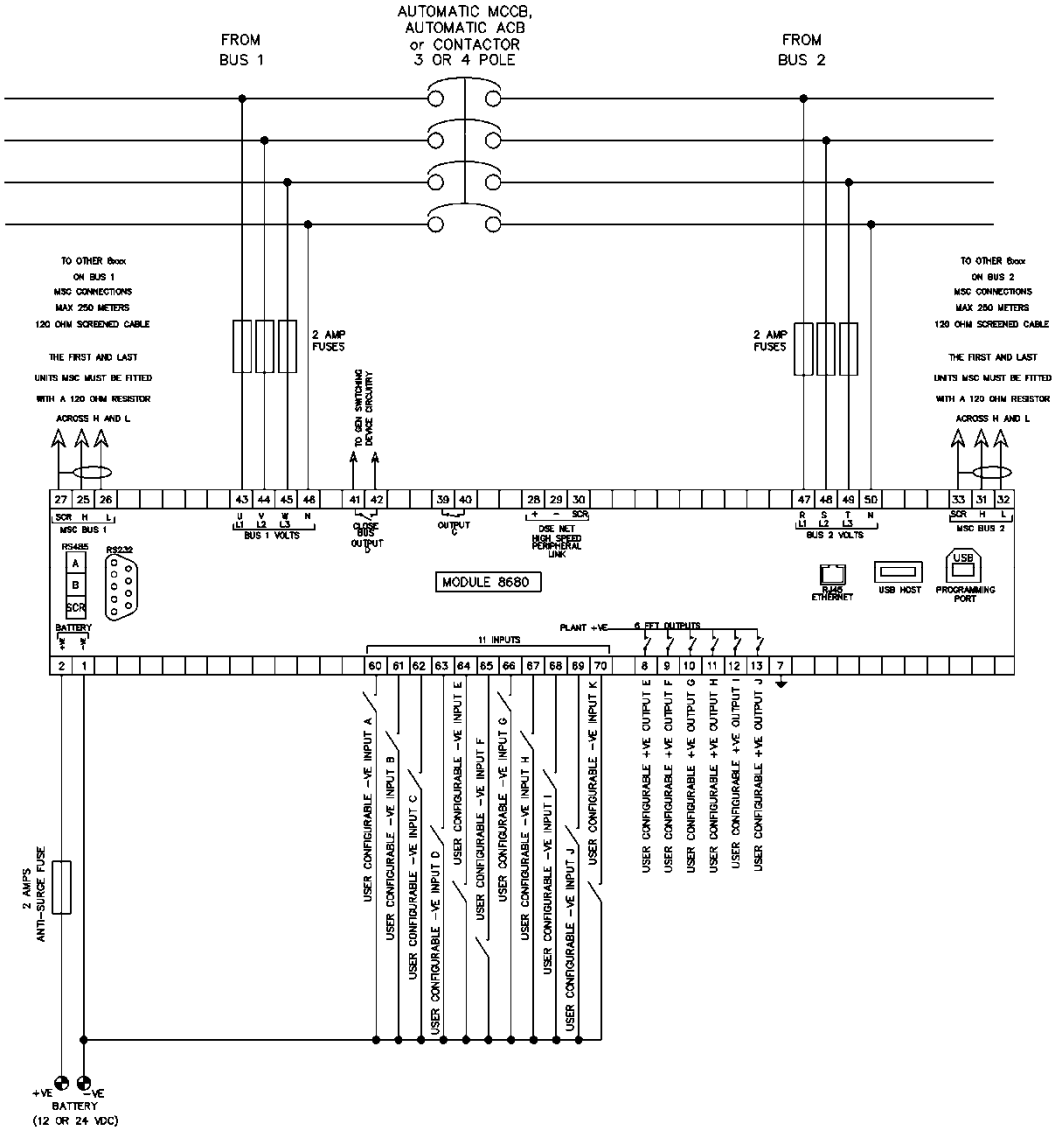
#### Deep Sea Electronics Plc.

Tel: +44 (0)1723 890099  
Fax: +44 (0)1723 893303  
Email: support@deepseapl.com  
Web: www.deepseapl.com

#### Deep Sea Electronics inc.

Tel: +1 (815) 316-8706  
Fax: +1 (815) 316-8708  
TOLL FREE (USA only) :  
Telephone: 1 866 636 9703  
Email: support@deepseausa.com  
Web: www.deepseausa.com

# TYPICAL WIRING DIAGRAM



A larger version of this diagram can be found in the product manual.