



**InteliDrive
WP**

Datasheet

Product description

The InteliDrive WP is a cost effective and small form factor engine controller with higher IP grade, which features outstanding control, monitoring and protection for both mechanical and electronic diesel/gas engines – all in one unit. The controller is suitable for pumps, compressors, and other simple engine control requirements. Connector kit and harness options are sold separately

Key features

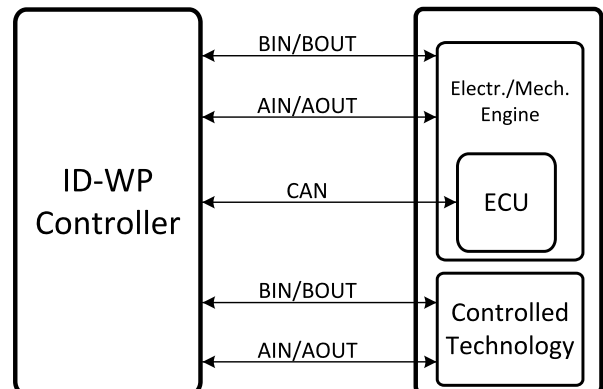
- > Engine controller for land-based and marine applications
- > Control, monitoring and protection for both mechanical and electronic diesel/gas engines in one unit
- > Automatic or manual start/stop of the engine
- > Support of engines with Electronic Control Unit (ECU) - J1939
- > Analog gauge (VDO, Datcon and others) output – operator friendly
- > Smooth engine speed control
- > 5 configurable binary inputs
- > 9 configurable analog inputs
- > 5 configurable binary outputs (2 relays - up to 10A)
- > 1 configurable analog output 5 VDC



Order code: ID2C1000BEC
Engine Controller

- > Selectable protections alarm/shutdown
- > 3 level of password protection
- > USB port for programming
- > 2 languages (user changeable)
- > Real time clock and event history log
- > Control functions: PID loop, Comparators, Timers
- > Dust and water protection IP 65 (front and rear panel)
- > Operating temperature: –20 to +70°C
- > EN certifications

Application overview



Technical data

Power supply

Power supply range	8-36 V DC
Power supply drop-out immunity	50 ms (from min. 12 V)
Power consumption	118 mA @ 8 V; 38 mA @ 36 V
Backup battery type	CR 1225, Encapsulated
Estimated backup battery lifetime	10 years

Operating conditions

Operating temperature	-20 °C to +70 °C
Operating humidity	95 % non-condensing (EN 60068-2-30)
Protection degree (front/back panel)	IP 65
Vibration	5-25 Hz, ±1.6 mm 25-100 Hz, a = 4 g
Shocks	a _{max} 200 m/s ²
Storage temperature	-30 °C to +80 °C
Heat radiation	3.5 W
Weight	301 g

Binary inputs

Number	5, non-isolated
Input resistance	4.2 kΩ
Common pole	Positive, V _s = 8-36 V DC
Close/Open indication	0-2 V DC close contact 4 V - V _s open contact

Binary relay outputs (BO1, BO2)

Number	2, isolated
Output type	voltage free contacts
Maximum current	10 A
Maximum switching voltage	30 V DC, 250 V AC

Binary open collector outputs (BO3, BO4, BO5)

Number	3, non-isolated
Output type	open collector
Maximum current	0.5 A
Maximum switching voltage	36 V DC

Analog inputs - resistive

Number	3, non-isolated
Electrical range	0-2500 Ω
Resolution	10 bits, 4 digits
Supported sensor types	Predefined: VDO 10Bar, VDO Temperature, VDO Fuel level User-defined: 30 points non-linear

	sensors can be defined by the user
--	------------------------------------

Analog inputs - voltage

Number	3, non-isolated
Electrical range	0-10 V
Resolution	10 bits, 4 digits
Input impedance	>100 kΩ
Supported sensor types	User-defined: 30 points non-linear sensors can be defined by the user

Analog inputs - Current

Number	3, non-isolated
Electrical range	0-20 mA
Resolution	10 bits, 4 digits
Input impedance	180 Ω
Supported sensor types	User-defined: 30 points non-linear sensors can be defined by the user

Communication

CAN	ECU, 250 kbps, max 200 m, Isolated
-----	------------------------------------

Magnetic pick-up

Voltage input range	2 - 70 V _{pp}
Frequency input range	4 Hz to 10 kHz (min 2 V _{pp} @ 4Hz - 4 kHz, 6 V _{pp} @ 10 kHz)
Frequency measurement tolerance	0.2 %

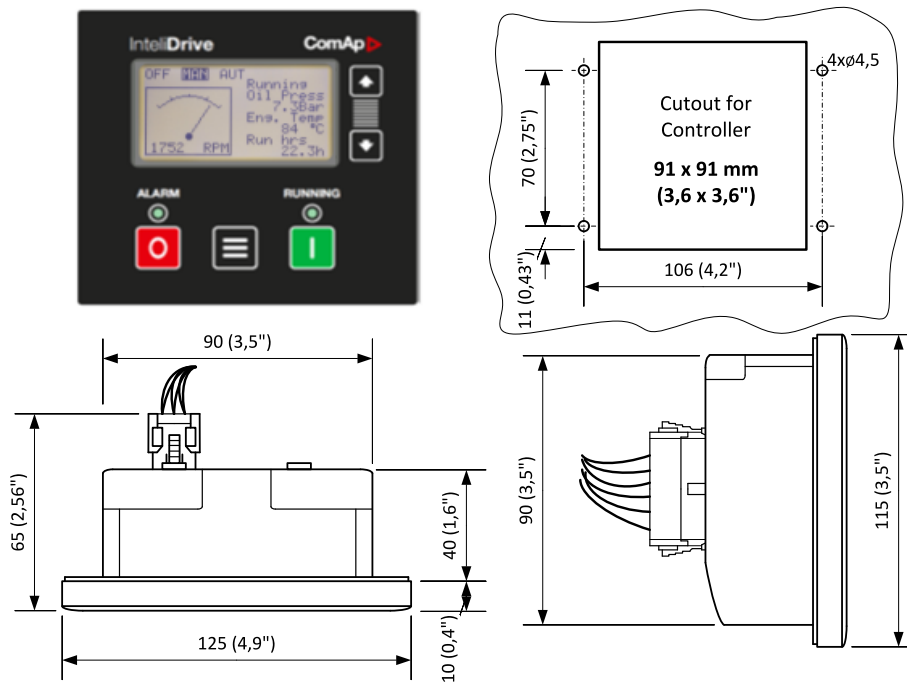
D+

Excitation current	300 mA, during the engine start only
Charging fail threshold	80 % of U _{supply}
Voltage range	0-60 V (max. 70 V)
Voltage accuracy	±0.1 V

Display

Type	Build-in monochromatic
Resolution	128 × 64 px

Dimensions and mounting



Note: The controller is to be mounted onto the switchboard door. The requested cut-out size is 91 × 91 mm. Use the nylon screws and nuts delivered with the controller to fix the controller into the door.

Available harnesses and connectors

Order code	Description
OT1TS009XXX	Set of term-set connectors
OT2WPHARNES	Set of 2 m long harness for IntelliDrive WP

Note: Controller itself is delivered without terminals and harnesses.

Certificates and standards

- > EN 60068-2-1
- > EN 60068-2-2
- > EN 60068-2-6
- > EN 60068-2-27
- > EN 60068-2-30:2005 25/55°C, RH 95%, 48hours
- > EN 61000-6-4
- > EN 61000-6-2
- > EN 60529 (IP65)



List of standards is available on: <https://webstore.iec.ch/>



E-mail: info@comap-control.com
 Web: www.comap-control.com

ComAp 
 The heart of smart control