



CMM366A-WIFI

CMM366A-WIFI Cloud Monitoring Communication Module is WIFI wireless network communication protocol switch module which can achieve genset (with SCI) connect to Internet. After logging into cloud server, module will receive corresponding genset controller communication protocol from cloud server. And module gains genset data via RS485 port, USB port, LINK port or RS232 port then send the data to corresponding cloud server through WIFI wireless network for achieving user's real-time monitoring to running status and searching of running records via APP (IOS or Android) and PC terminal devices.

Product Code : 6110004

Power Supply : DC (8~35)V

Case Dimensions : 72.5*105*34(mm)

Operating Temp. : (-25~+70)°C

Weight : 0.15kg

COMPLETE DESCRIPTION

CMM366A-WIFI Cloud Monitoring Communication Module is WIFI wireless network communication protocol switch module which can achieve genset (with SCI) connect to Internet. After logging into cloud server, module will receive corresponding genset controller communication protocol from cloud server. And module gains genset data via RS485 port, USB port, LINK port or RS232 port then send the data to corresponding cloud server through WIFI wireless network for achieving user's real-time monitoring to running status and searching of running records via APP (IOS or Android) and PC terminal devices.

CMM366A-WIFI module not only can achieve genset monitoring but also can insert some digital alarm input/output signal to achieve monitoring of generator room entrance guard, guard against theft and fire facilities.

PERFORMANCE AND CHARACTERISTICS

1. Connect to cloud server via WIFI wireless network, one to one monitoring;
2. Multiple ports for communication with genset control module: RS485, RS232, LINK and USB (Host); can monitor great majority genset control modules of international first-class brands;
3. Widely power supply: DC (8~35)V, can direct use genset build-in battery;
4. With ARM-based 32-bit SCM, high integration of hardware and strong programming ability;
5. Include with GPS locate function to achieve location information and locate genset;
6. Take JSON network data communication protocol, upload real-time data variation and take compression algorithm to vastly reduce network flow at the same time;
7. Users can upload monitoring data to the server for analyzing based on the user-defined "history data upload interval";
8. When alarm occurs it can upload data to server immediately;
9. 2 auxiliary digital input ports which can receive external alarm signal;
10. 1 auxiliary relay output ports which can output various of alarm signal;
11. Perpetual calendar and clock functions;
12. Power and multiple communication status indicators on front panel that working status is clear at a glance;
13. Lamp test function;
14. Parameter adjust function: users can adjust parameters via USB port;
15. Take standard π -type 35mm guide-rail installation or screw-fixed installation that the module can be installed in the genset control box;
16. Modular design, self extinguishing ABS plastic shell, light weight, compact structure with easy installation.

PARAMETER LIST

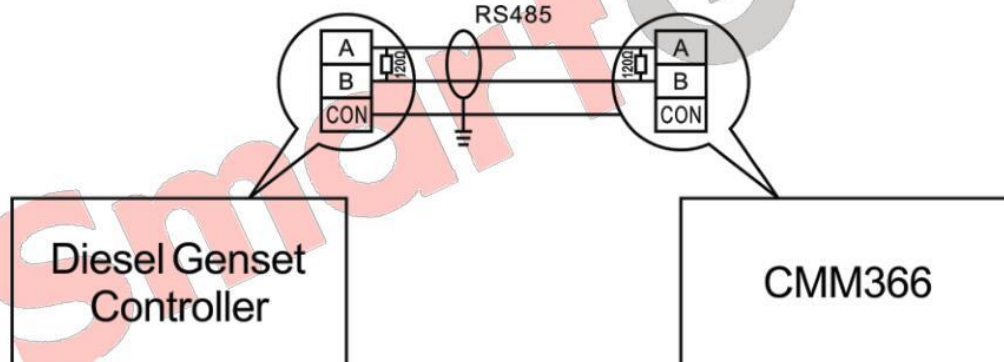
Function Item	Parameter
WIFI/Ethernet/3G/2G	WIFI
Digital Input	2
Relay Output	1
RS485	●

Function Item	Parameter
RS232	•
LINK	•
USB Device	•
USB Host	•
Clock	•
Installation Method	Railway/screw fixing
DC Supply	DC(8~35)V
Case Dimensions(mm)	73*105*35
Operating Temp.	(-25~+70)°C

Application

4.3 RS485

Connect with genset controller via RS485 to receive genset data information. If communication is abnormal, 120Ω terminal resistance is recommended. One end of shield wire hangs in the air and the other one connects with SCR.



4.4 RS232

Connect with genset controller via RS232 to receive genset data information.

