



# DATA SHEET



## AGC 200



<b>1. Application information</b>	
<b>1.1 General information</b>	<b>3</b>
1.1.1 Application	3
1.1.2 Description	3
1.1.3 Application emulation	4
<b>1.2 Single-line diagrams</b>	<b>4</b>
1.2.1 Single-line application diagrams	4
1.2.2 Optional power management applications	7
<b>2. Standard functions</b>	
<b>2.1 Comparison chart</b>	<b>9</b>
2.1.1 Comparisons	9
2.1.2 Protections	12
2.1.3 Setup	13
2.1.4 M-Logic	14
<b>2.2 Available variants</b>	<b>14</b>
<b>2.3 Available options</b>	<b>14</b>
<b>2.4 Available accessories</b>	<b>15</b>
<b>3. Functional block diagram</b>	
<b>3.1 Functional block diagram</b>	<b>16</b>
3.1.1 Automatic mains failure/mains power export/peak shaving/load takeover	16
3.1.2 Single generator/load sharing/power management	17
<b>4. Displays</b>	
<b>4.1 Display layouts</b>	<b>18</b>
4.1.1 Display layout - AGC 212, 222, 232, 242	18
4.1.2 Display layout - AGC 213, 233, 243	19
4.1.3 Display layout - AGC 244	20
4.1.4 Display layout - AGC 245	21
4.1.5 Display layout - AGC 246	22
4.1.6 Rear side view	23
<b>5. Technical specifications</b>	
<b>5.1 Technical specifications table</b>	<b>24</b>
<b>6. Unit dimensions</b>	
<b>6.1 Unit dimensions in mm (inches)</b>	<b>28</b>
<b>7. Ordering information</b>	
<b>7.1 Order specifications and disclaimer</b>	<b>29</b>
7.1.1 Variants	29
7.1.2 Example	29
7.1.3 Accessories	29
7.1.4 Example	29
7.1.5 Disclaimer	29

# 1. Application information

## 1.1 General information

### 1.1.1 Application

The Automatic Genset Controller, AGC, is a control unit containing all necessary functions for protection and control of a genset. It can be used as a single unit for one genset, or a number of AGCs can be connected in a complete power management system for synchronising projects, islanded or paralleled to the mains. The AGC contains all necessary 3-phase measuring circuits, and all values and alarms are presented on the display.

The AGC is a compact all-in-one unit designed for the following applications:

Standard plant modes	Applications
Island mode	Power plant with synchronising generators or a stand-alone generator. Can also be used in critical power plants.
Automatic Mains Failure (AMF)	Critical power/emergency standby plants, black start generator. (Mains required).
Fixed power	Power plant with fixed kW set point (including building load). (Mains required).
Peak shaving	Power plant where generator supplies peak load demand paralleled to the mains.
Load takeover	Plant mode where the load is moved from mains to generator, for example peak demand periods or periods with risk of power outages. (Mains required).
Mains power export	Power plant with fixed kW set point (excluding building load). (Mains required).

The plant modes are configurable, and it is possible to change the plant mode on the fly both in single and in power management applications.



#### INFO

All modes can be combined with Automatic Mains Failure mode (AMF).

The plant/genset is easily controlled from the display, or an HMI/scada system can be implemented using one of the communication options. Three display units can be installed per control unit.

### 1.1.2 Description

AGC 200 variants equipped with power management can handle simple or advanced applications for a great number of power plant projects within synchronising gensets, critical power/emergency standby applications or power producing applications.

The following number of units can be controlled in a power management system:

- 32 mains feeders with mains and tie breaker
- 8 bus tie breakers on the generator bus or load bus
- 32 generators with generator breakers

The complete power management system can easily be monitored from the PC utility SW through a graphical supervision page. Running status, hours in operation, breaker status, condition of mains and busbars and fuel consumption are just some of the values that are presented.

### 1.1.3 Application emulation

Use the emulation tool of the AGC to verify and test the functionality. The emulation tool makes it possible to test most of the functions, for example, plant modes and logics, breaker handling, mains and generator operation. Emulation only requires a DC supply and CAN bus between the controllers.

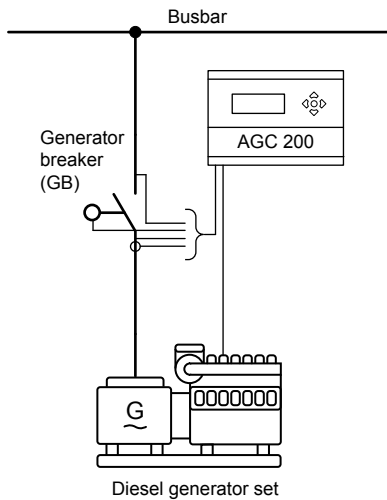
Application emulation is useful for training, customising plant requirements, and testing basic functionality.

In a power management system, the entire plant can be controlled using the PC Utility Software tool, if there is a TCP/IP connection to one of the AGC controllers.

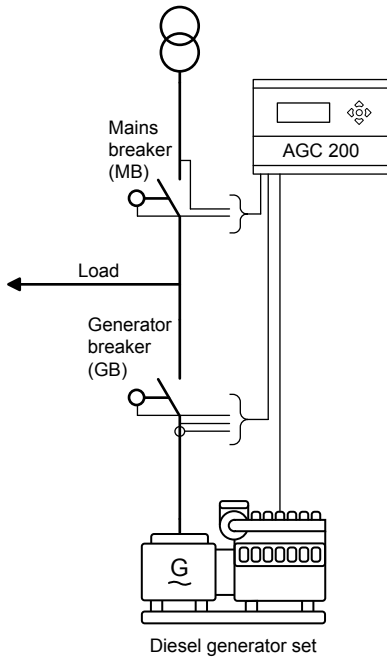
## 1.2 Single-line diagrams

### 1.2.1 Single-line application diagrams

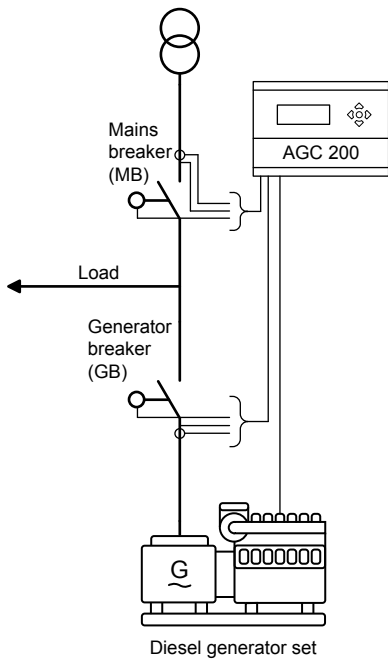
#### AGC 212/222 Island



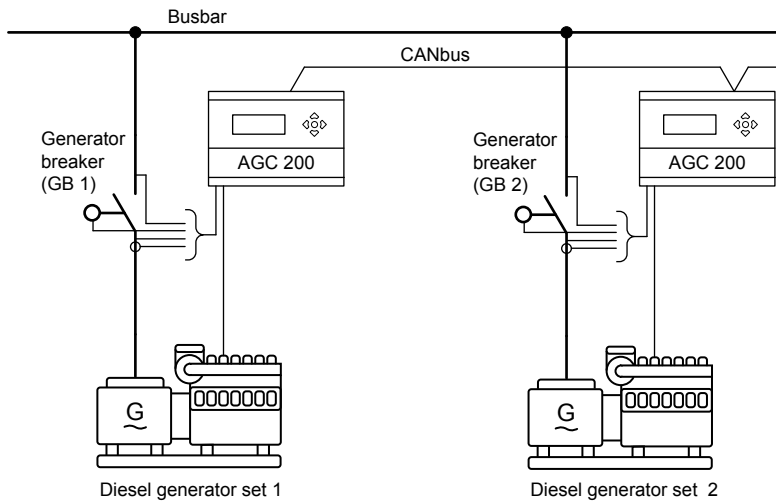
#### AGC 213 Mains failure, with separate transducer: Peak shaving, load takeover and mains power export



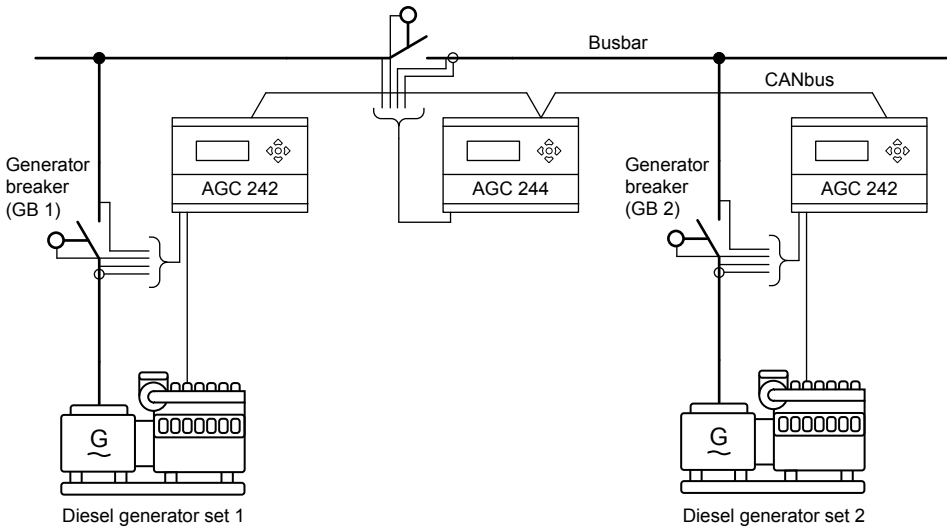
**AGC 233/243 Mains failure, peak shaving, load takeover and mains power export**



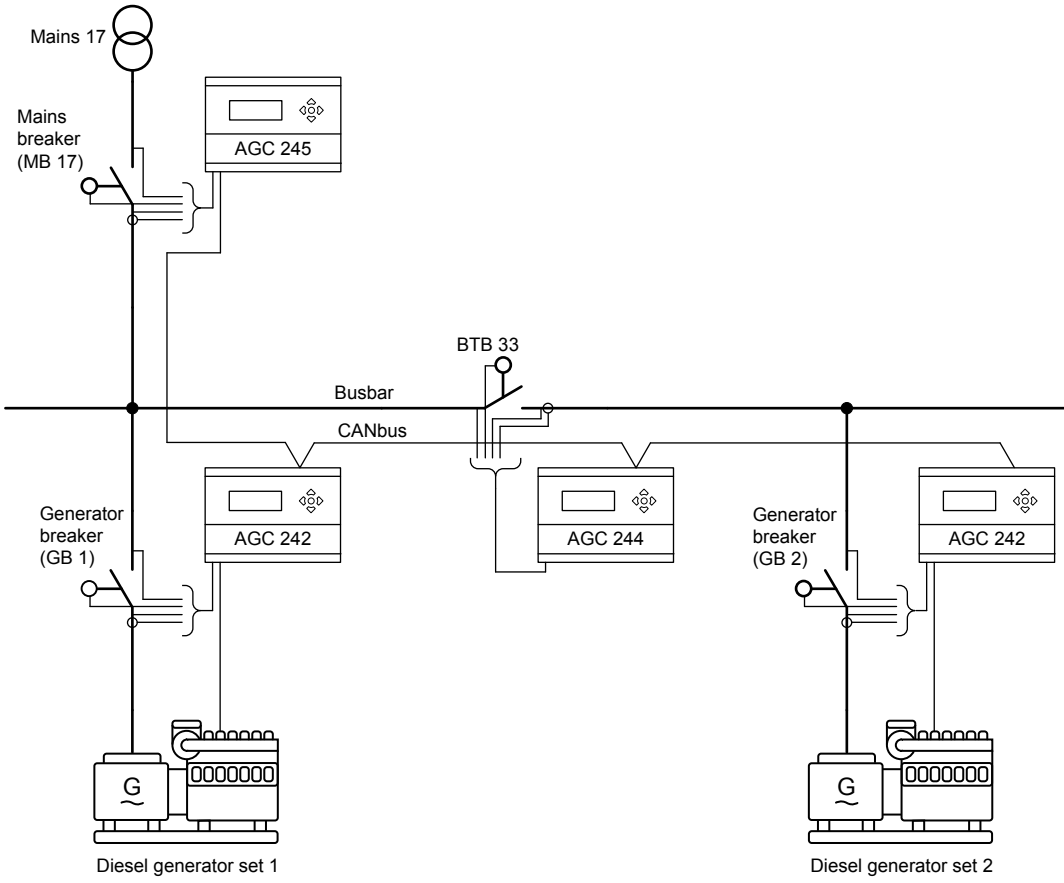
**AGC 222/232/242 Multiple gensets, load sharing, up to 128 generators (CANshare)**



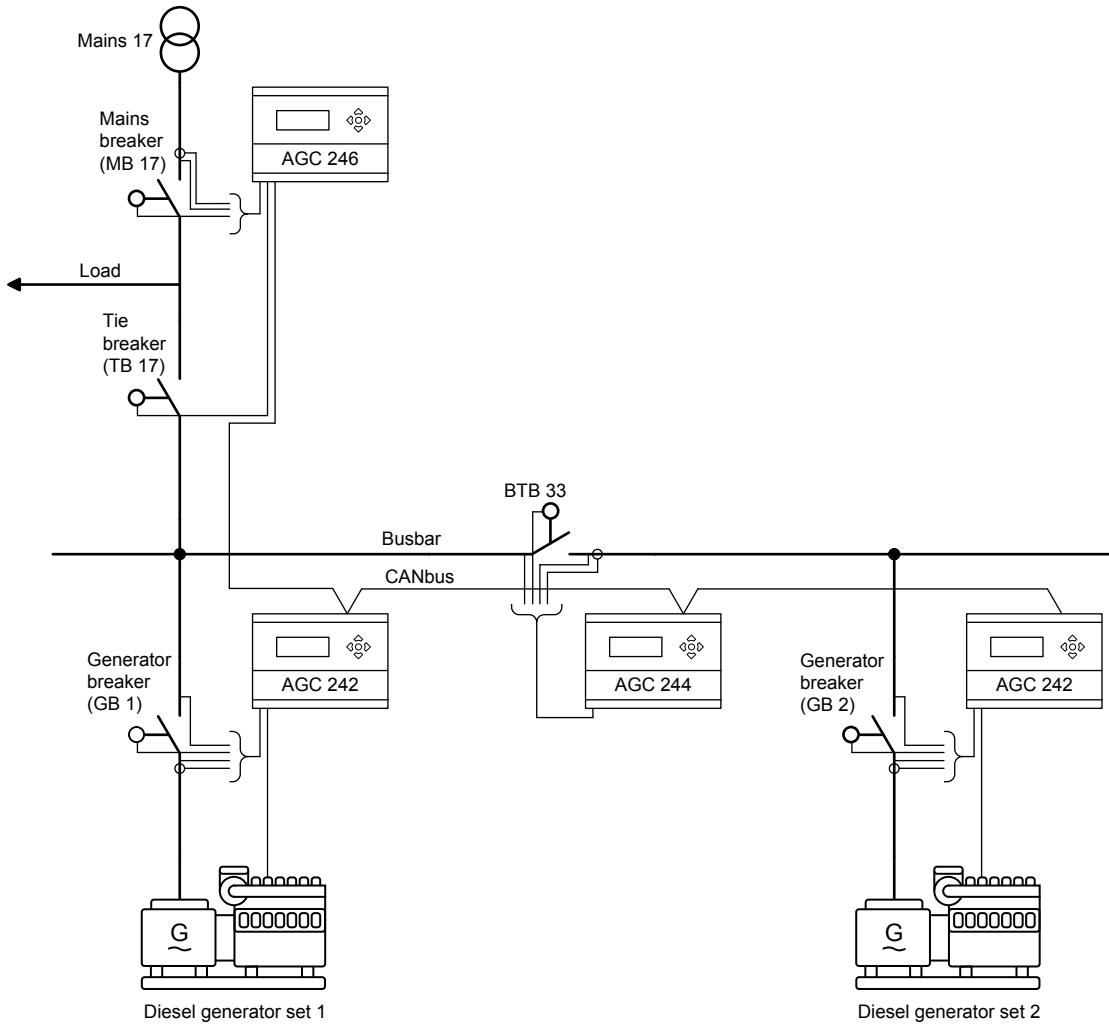
**AGC 242 (222/243)/244 Island power management, up to 32 generators, up to 8 bus tie breakers**



**AGC 242(222/243)/244/245 Up to 32 mains, 32 generators load sharing and up to 8 bus tie breakers**

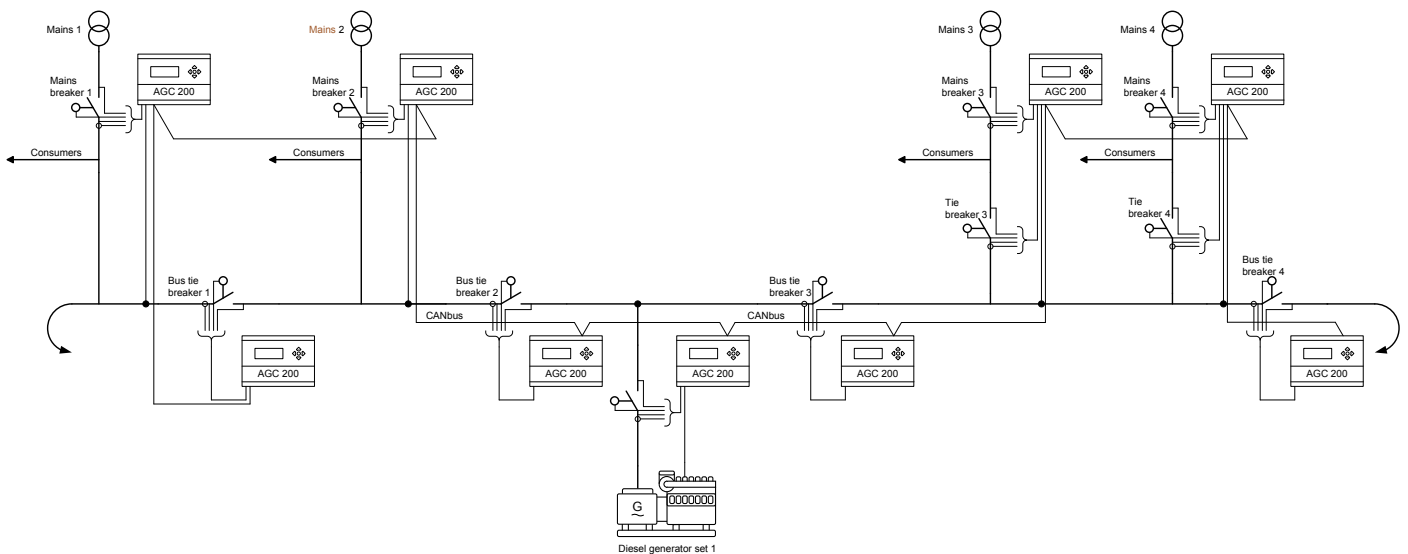


**AGC 242(222/243)/244/246 Up to 32 mains with tie breakers, 32 generators load sharing and up to 8 bus tie breakers**



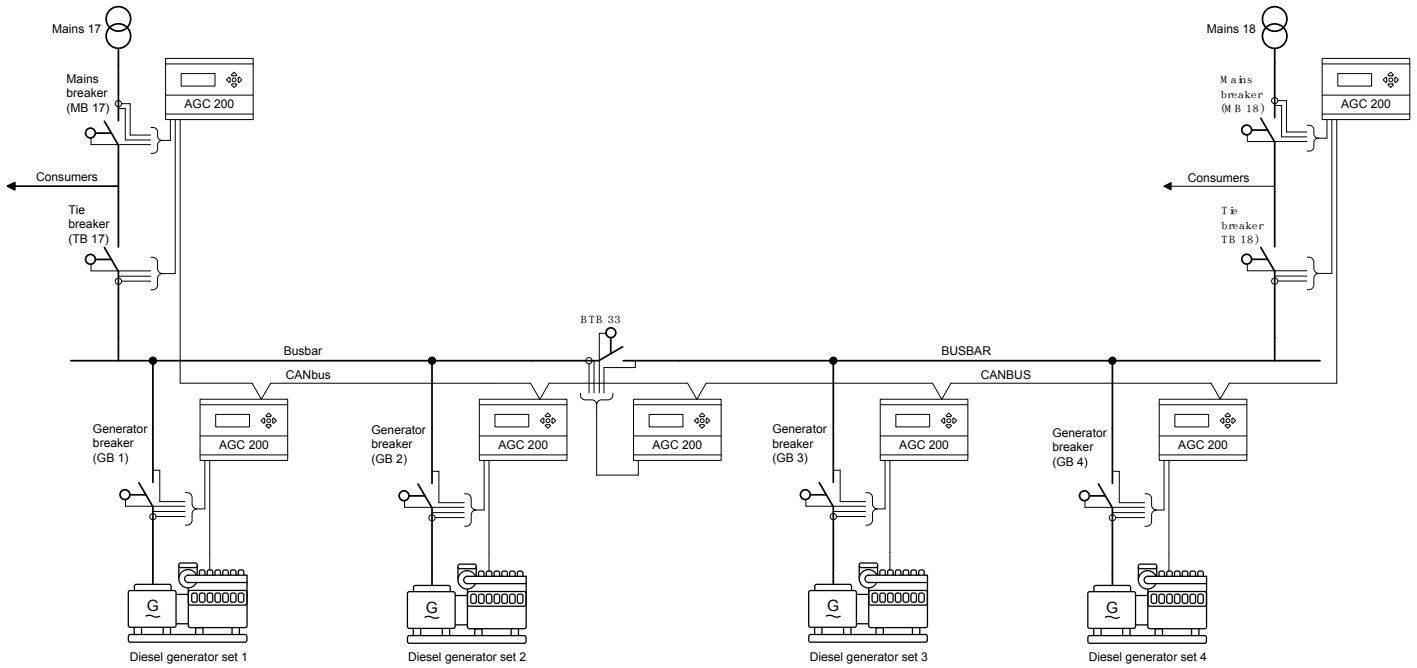
**1.2.2 Optional power management applications**

**Main - tie - main application**



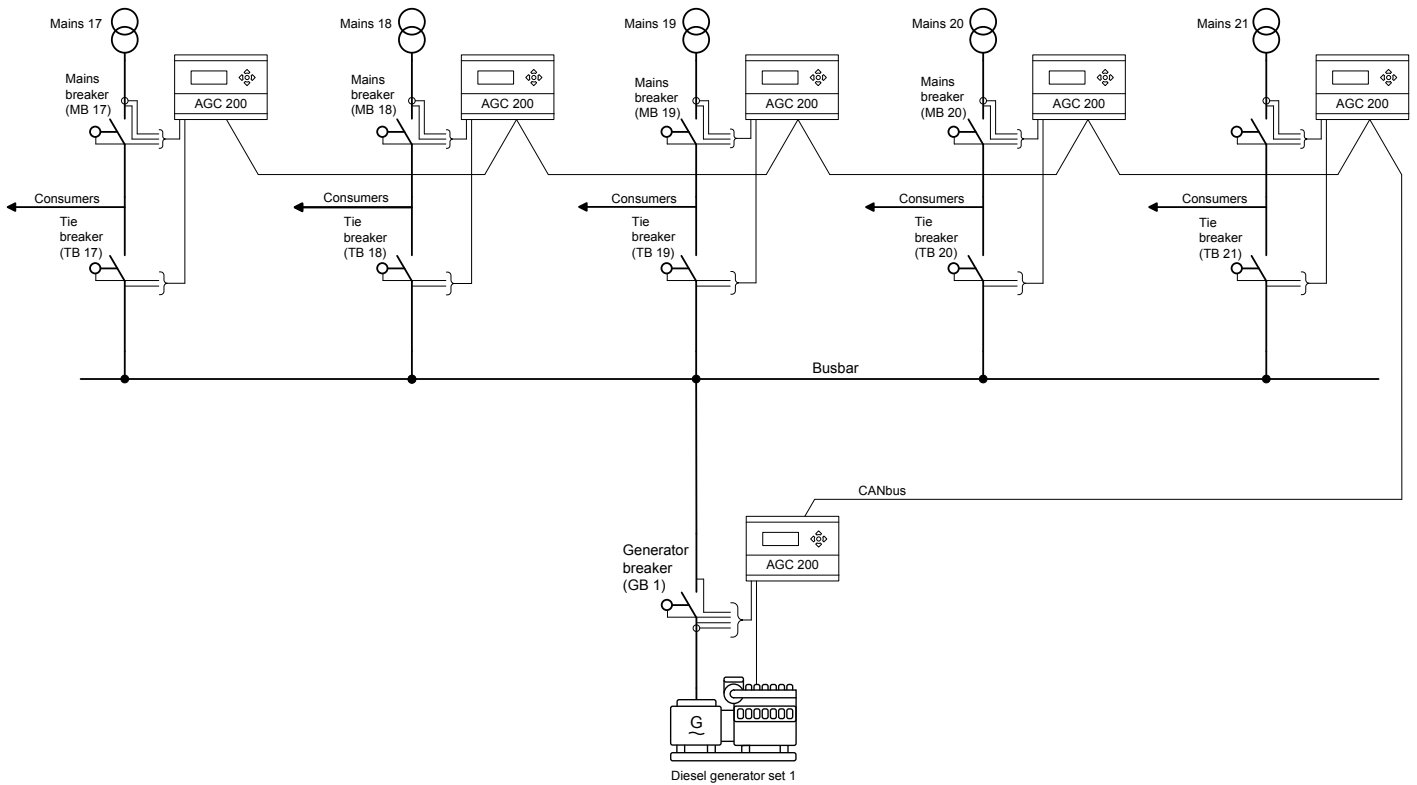
Ring bus may be used depending on application needs.

## H-coupling



The tie breaker controlled by the AGC 200 mains is selectable depending on application needs. The bus tie breaker can be present without an AGC 200 controller (open/closed feedbacks are needed).

## X mains and 1 DG



The tie breaker controlled by the AGC 200 mains is selectable depending on application needs.



## 2. Standard functions

### 2.1 Comparison chart

#### 2.1.1 Comparisons

Model	AGC 212	AGC 213	AGC 222	AGC 232	AGC 233	AGC 242	AGC 243	AGC 244	AGC 245	AGC 246
<b>Measuring</b>										
Generator/busbar voltage (3-phase/4-wire)	X	X	X	X	X	X	X			
Generator current (3 × true r.m.s.)	X	X	X	X	X	X	X			
CT selectable 1/5	X	X	X	X	X	X	X	X	X	X
100 to 690 V AC selectable	X	X	X	X	X	X	X	X	X	X
Mains/busbar voltage (3-phase/4-wire)		X	X	X	X	X	X	X	X	X
Mains current or neutral current (1 × true r.m.s.) or ground current with 3rd harmonic filter				X	X	X	X	X	X	X
Selectable AC configuration 3-phase/3-wire 3-phase/4-wire 2-phase/3-wire L1L3 (180° between phases) 2-phase/3-wire L1L2 (120° between phases) 1-phase/2-wire L1	X	X	X	X	X	X	X	X	X	X
Phase angle compensation gen/busbar/mains synchronising over a D/Y transformer	X	X	X	X	X	X	X	X	X	X
<b>Single genset Genset modes</b>										
Island operation	X	X	X	X	X	X	X			
Fixed power/base load		X			X		X			
AMF & ATS (auto mains failure operation)		X			X		X			
Peak shaving		X			X		X			
Load takeover		X			X		X			
Mains power export		X			X		X			
AMF mode		X			X		X			
<b>Multi-genset Power management plant mode</b>										
Island operation			X			X	X			
Fixed power/base load			X			X	X		X	X
Peak shaving			X			X	X		X	X

Model	AGC 212	AGC 213	AGC 222	AGC 232	AGC 233	AGC 242	AGC 243	AGC 244	AGC 245	AGC 246
Load takeover			X			X	X		X	X
Mains power export			X			X	X		X	X
AMF mode			X			X	X		X	X
<b>General</b>										
Status relay	X	X	X	X	X	X	X	X	X	X
16 A crank and run relay	X	X	X	X	X	X	X			
Lamp test	X	X	X	X	X	X	X	X	X	X
USB interface to PC	X	X	X	X	X	X	X	X	X	X
Temperature-dependent cooling-down	X	X	X	X	X	X	X			
Time-based cooling-down										
Emergency cooling-down										
kWh meter										
Produced kWh meter day										
Produced kWh meter week	X	X	X	X	X	X	X	X	X	X
Produced kWh meter year										
Produced kWh meter total										
Operation hours and emergency hours counter										
GB and MB operation counter	X	X	X	X	X	X	X			
Start attempt counter										
Maintenance counters, hours and days										
Free PC utility software for commissioning	X	X	X	X	X	X	X	X	X	X
<b>Control</b>										
Start/stop sequences	X	X	X	X	X	X	X			
Synchronisation	X	X	X	X	X	X	X	X	X	X
Nos. of breakers/contactors to be controlled	1	2	1	1	2	1	1/2	1	1	2
Run coil	X	X	X	X	X	X	X			
Stop coil with wire break supervision				X	X	X	X			
J1939 regulation governor/AVR	X	X	X	X	X	X	X			
Relay outputs for governor control/AVR	X	X	X	X	X	X	X			
Analogue outputs for governor control/AVR	IOM 220	IOM 220	IOM 220	IOM 220	IOM 220	IOM 220	IOM 220			
Digital load sharing (CANshare), with first up discrimination			X	X	X	X	X			
Use CANshare when PMS is down			X			X	X			
Analogue load sharing	IOM 230	IOM 230	IOM 230	IOM 230	IOM 230	IOM 230	IOM 230			

Model	AGC 212	AGC 213	AGC 222	AGC 232	AGC 233	AGC 242	AGC 243	AGC 244	AGC 245	AGC 246
Event LOG with real-time clock										
Alarm LOG with real-time clock										
Battery test LOG with real-time clock	X	X	X	X	X	X	X	X	X	X
Engine diagnostic active alarm LOG										
Engine diagnostic historical alarm LOG										
<b>I/Os</b>										
Inputs (configurable)	7	7	9	14	14	14	14	14	14	14
Relay outputs (configurable)	9	9	9	14	14	14	14	14	14	14
Multi-inputs (configurable)	3	3	3	3	3	3	3	3	3	3
Emergency input	1	1	1	1	1	1	1	1	1	1
Pickup MPU/W/PNP/NPN/tacho	1	1	1	1	1	1	1	1	1	1
D+ alternator field flash circuit	X	X	X	X	X	X	X			
CAN bus communication interfaces	1	1	2	3	3	3	3	3	3	3
RS-485/Modbus RTU slave interface(s)	1	1	1	1	1	1	1	1	1	1
TCP/IP Modbus communication	1	1	1	1	1	1	1	1	1	1
SD card				1	1	1	1	1	1	1
USB 2.0 service port	1	1	1	1	1	1	1	1	1	1
<b>M-Logic</b>										
Simple logic configuration tool	X	X	X	X	X	X	X	X	X	X
Selectable input events	X	X	X	X	X	X	X	X	X	X
Selectable output commands	X	X	X	X	X	X	X	X	X	X
<b>Power management functions</b>										
Load-dependent start/stop			X			X	X			
Priority selection										
Manual			X			X	X			
Running hours										
Fuel optimisation										
Ground relay control			X			X	X			
ATS control						X			X	X
Safety stop (fail class = trip and stop)			X			X	X			
Load management			X			X	X		X	X
Secured mode			X			X	X			
Quick setup/broadcast			X			X	X	X	X	X

Model	AGC 212	AGC 213	AGC 222	AGC 232	AGC 233	AGC 242	AGC 243	AGC 244	AGC 245	AGC 246
Base load			X			X	X			
Heavy consumer (HC)			X			X	X		X	X
Asymmetric load sharing (LS)			X			X	X			
Common PF control			X			X	X		X	X
CAN flags			X			X	X	X	X	X

## 2.1.2 Protections

Protection	No. of alarms	(ANSI)	AGC 212/222/232/242	AGC 213/233/243	AGC 244	AGC 245/246
Reverse power	x2	32R	X	X	X	X
Short-circuit	x2	50P/N	X	X	X	X
Over-current	x4	51	X	X	X	X
Voltage-dependent over-current	x1	51V	X	X	X	X
Over-voltage	x2	59P	X	X	X	X
Under-voltage	x3	27P	X	X	X	X
Over-frequency	x3	81O	X	X	X	X
Under-frequency	x3	81U	X	X	X	X
Unbalanced voltage	x1	47	X	X	X	X
Unbalanced current	x1	46	X	X	X	X
Under-excitation or var import	x1	32RV	X	X	X	X
Over-excitation or var export	x1	32FV	X	X	X	X
Overload	x5	32F	X	X	X	X
Busbar/mains over-voltage	x3	59P	X	X	X	X
Busbar/mains under-voltage	x4	27P	X	X	X	X
Busbar/mains over-frequency	x3	81O	X	X	X	X
Busbar/mains under-frequency	x4	81U	X	X	X	X
Busbar/mains unbalanced voltage	x1	47	X	X	X	X
Load shed via current # levels	x3	51	X	X	X	X
Load shed via busbar freq. # levels	x3	81	X	X	X	X
Load shed via overload # levels	x3	32	X	X	X	X
Load shed via fast overload # levels	x3	32	X	X	X	X
Multi-analogue input 1/with wire break supervision	x2	NA	X	X	X	X
Multi-analogue input 2/with wire break supervision	x2	NA	X	X	X	X
Multi-analogue input 3/with wire break supervision	x2	NA	X	X	X	X
Emergency stop	x1	1	X	X	X	X
Overspeed	x2	12	X	X		

Protection	No. of alarms	(ANSI)	AGC 212/222/232/242	AGC 213/233/243	AGC 244	AGC 245/246
Low battery voltage	x1	27DC	X	X	X	X
High battery voltage	x1	59DC	X	X	X	X
Generator breaker external trip	x1	5	X	X		
Mains breaker external trip	x1	5	X	X		X
GB synchronisation failure	x1	25	X	X	X	X
GB open failure	x1	52BF	X	X	X	X
GB close failure	x1	52BF	X	X	X	X
GB position failure	x1	52BF	X	X	X	X
MB synchronisation failure	x1	25		X		X
MB open failure	x1	52BF		X		X
MB close failure	x1	52BF		X		X
MB position failure	x1	52BF		X		X
Close before excitation failure	x1	48	X	X		
Phase sequence error	x1	47	X	X	X	X
Deload error	x1	34	X	X	X	X
Crank failure	x1	48	X	X		
Running feedback error	x1	34	X	X		
MPU wire break	x1	NA	X	X		
Start failure	x1	48	X	X		
Hz/V failure	x1	53	X	X		
Stop failure	x1	48	X	X		
Stop coil supervision (wire break)	x1	5	X	X		
Engine heater	x1	26	X	X		
Battery test alarm	x1	NA	X	X		
Max. ventilation	x2	NA	X	X	X	X
Not in Auto	x1	34	X	X	X	X
Fuel fill check error	x1	NA	X	X		
EIC warning via J1939/comm. link	x1	NA	X	X		
EIC shutdown via J1939/comm. link	x1	NA	X	X		
EIC coolant temperature via J1939/comm. link	x2	NA	X	X		
EIC oil pressure via J1939/comm. link	x2	NA	X	X		
EIC oil temperature via J1939/comm. link	x2	NA	X	X		
EIC communication error	x1	NA	X	X		

### 2.1.3 Setup

Setup is secured by three levels of passwords and is easily done via a menu structure on the display or via a PC and the free Multi-line 2 Windows -based PC utility software. The PC utility software can be downloaded free of charge from [www.deif.com](http://www.deif.com). This utility

software allows the operator to monitor all relevant information during commissioning, save and upload/download settings, download software updates and even control the genset either from a USB connection local to the unit or over Ethernet from anywhere in the world.

## 2.1.4 M-Logic

Customise your control system to your specific needs with this Boolean logic included in the AGC. Control functions can be modified or created based on digital inputs, J1939/comm. link data, analogue inputs, alarms, limits, specific functions or operating conditions. This powerful system configuration tool is included in all AGC systems without additional cost and is programmed by the free PC utility software.

## 2.2 Available variants

Type	Variant	Description	Item no.
AGC 212*	18	AGC 212	2912420010-18
AGC 213*	19	AGC 213	2912420010-19
AGC 222*	20	AGC 222	2912420010-20
AGC 232*	21	AGC 232	2912420010-21
AGC 233*	22	AGC 233	2912420010-22
AGC 242*	23	AGC 242	2912420010-23
AGC 243*	24	AGC 243	2912420010-24
AGC 244	25	AGC 244	2912420010-25
AGC 245	26	AGC 245	2912420010-26
AGC 246	27	AGC 246	2912420010-27



### INFO

\*For all genset variants, it is possible to add IOM 220 (analogue regulation) or IOM 230 (analogue regulation and analogue load-share)

## 2.3 Available options

In order to perfectly match the product solution to specific applications, the functionality of the AGC 200 can be equipped with a number of available options. The options selected by the customer will be integrated in the standard AGC 200, hereby securing the same user interface unaffected by whether the application needs a highly complex or a more basic genset controller.

Option	Description	ANSI	Option Type	Note
<b>A</b>	<b>Loss of mains protection package</b>			
A1	Vector jump df/dt (ROCOF) Under-voltage with programmable time delay (6 point curve) Ut < Under-voltage and reactive power, U and Q	(78) (81R) (27) (27+32RV)	Software	
A4	Positive sequence (mains) voltage low	(27)	Software	
A5	Directional over-current	(67)	Software	
<b>C</b>	<b>Generator add-on protection package</b>			
C2	Negative sequence voltage high Negative sequence current high Zero sequence voltage high Zero sequence current high	(47) (46) (59G) (50G) (40)	Software	

Option	Description	ANSI	Option Type	Note
	Power-dependent reactive power (12 point true field loss emulating the generator capability curve) IEC/IEEE inverse time over-current (curves: 6 fixed, 1 adjustable)	(51)		
<b>H</b>	<b>Serial communication</b>			
H2	Modbus RTU (RS-485)		Software	
H13	MTU ADEC M.501 without SAM module		Software	Requires software version 4.51.0 or later
<b>I</b>	<b>Application emulation</b>			
I1	Emulation, PC-controlled emulation of your application		Software	Requires software version 4.21 or later
<b>L</b>	<b>Heatfoil for display</b>			
L2	Display -40 °C (-40 °F)		Hardware	
<b>N</b>	<b>Ethernet communication</b>			
N	Ethernet TCP/IP Modbus RTU		Software	
<b>T</b>	<b>Special applications</b>			
T1	Critical power, redundant controller, short circuit limitation		Software	Requires software version 4.21 or later and power management
T2	Digital AVR: DEIF DVC 310 or Leroy Somer D510C		Software	Requires software version 4.51.0 or later Note: Option T2 is NOT working with MDEC and ADEC engines

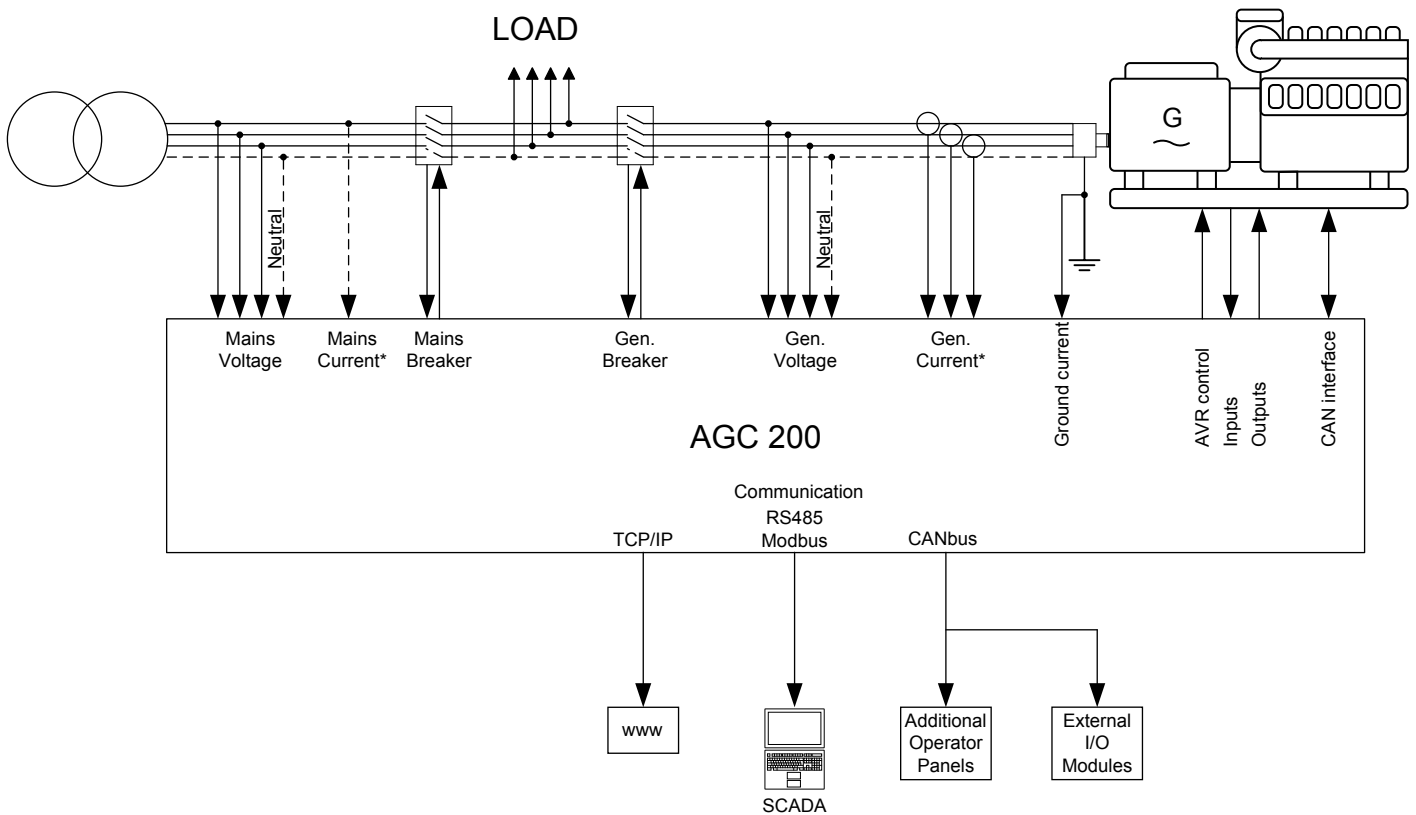
## 2.4 Available accessories

Accessories	Description	Item no.	Note
<b>Operator panels</b>			
Additional Operator Panel, AOP-2 (X4)	16 configurable LEDs, 8 configurable buttons and 1 status relay. CAN bus comm.	2912411060	Five AOP-2 units can be used with each AGC 200 unit
Display gasket	Display gasket IP66	2912420030	Standard is IP52
<b>Cables</b>			
USB cable, 3 m (J7)	For PC utility software	1022040065	
Ethernet cable, crossed, 3 m (J4)	For option N	1022040055	

## 3. Functional block diagram

### 3.1 Functional block diagram

#### 3.1.1 Automatic mains failure/mains power export/peak shaving/load takeover

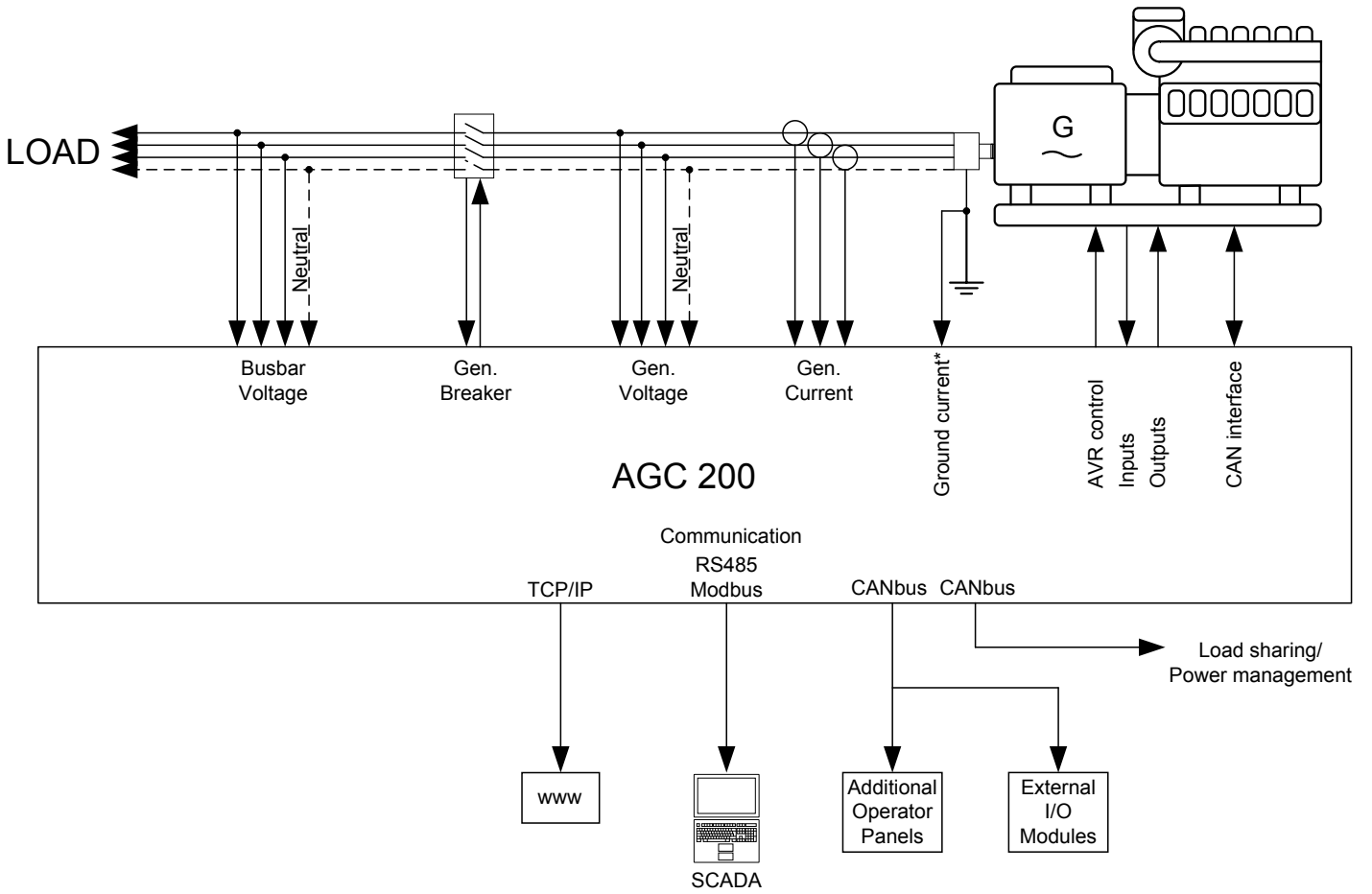


#### INFO

\*Mains current and ground current use the same AC current input and can therefore not be mounted simultaneously. They may or may not be used.



### 3.1.2 Single generator/load sharing/power management



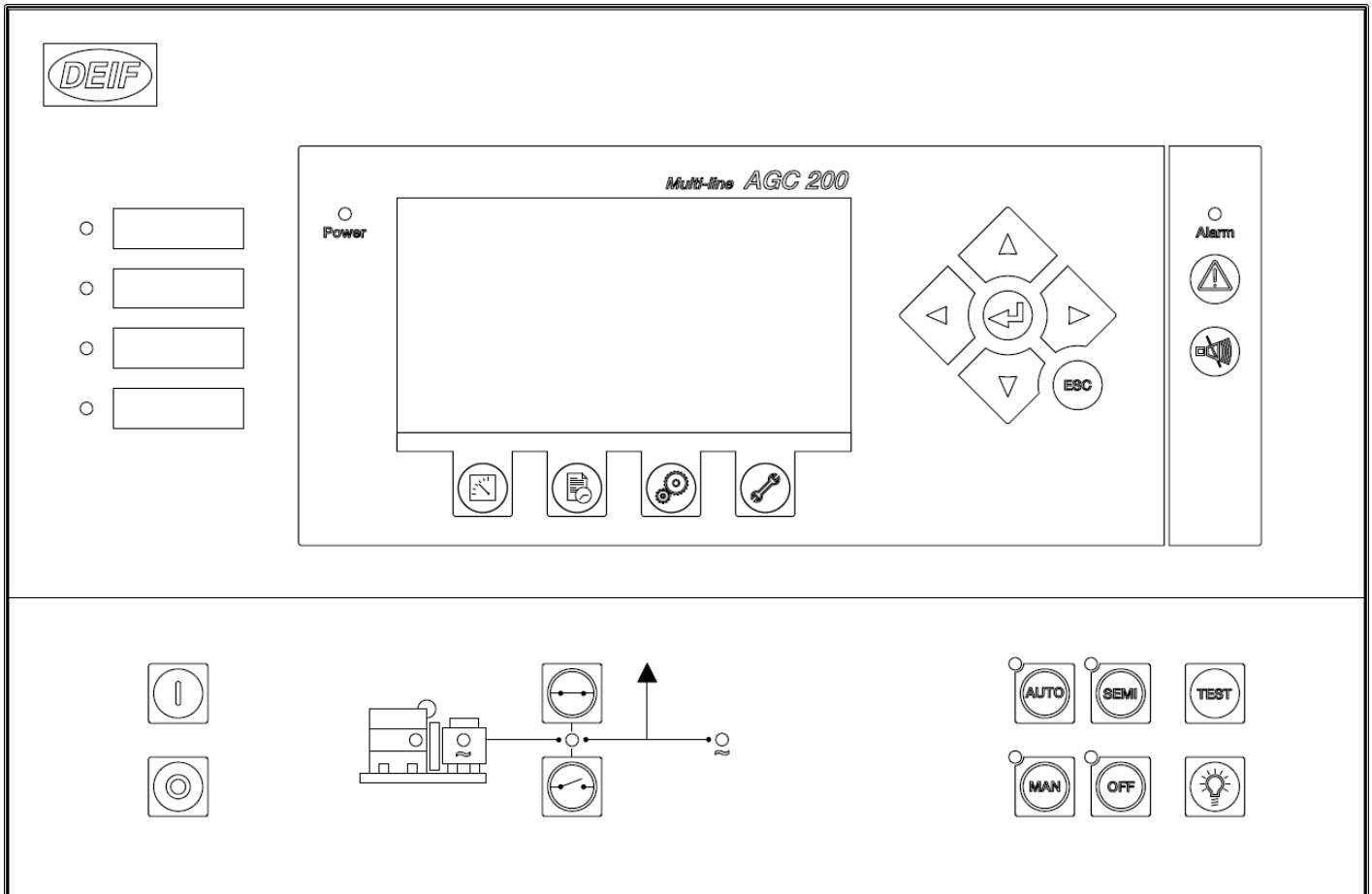
**INFO**

\*Ground current may or may not be used.

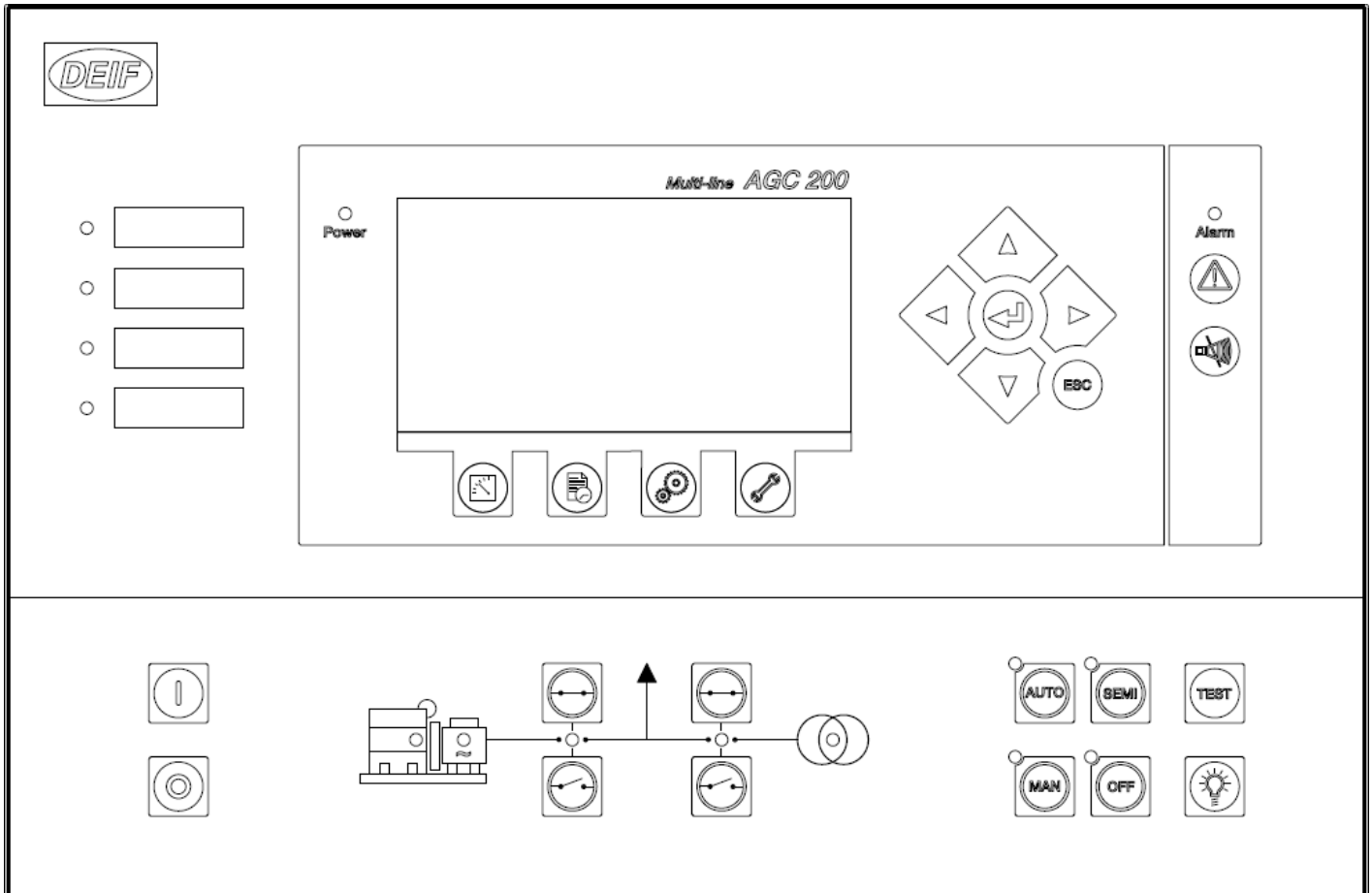
## 4. Displays

### 4.1 Display layouts

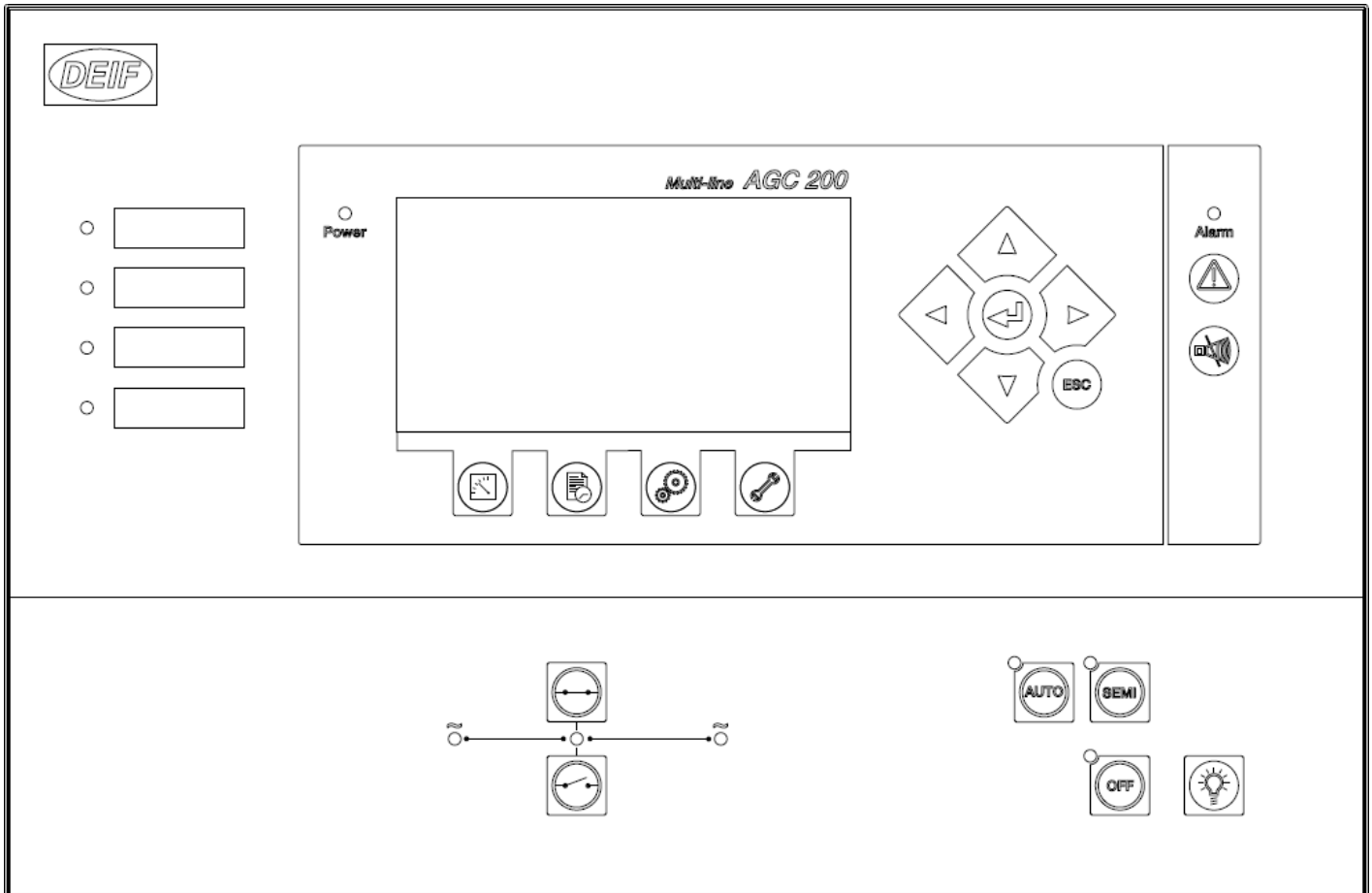
#### 4.1.1 Display layout - AGC 212, 222, 232, 242



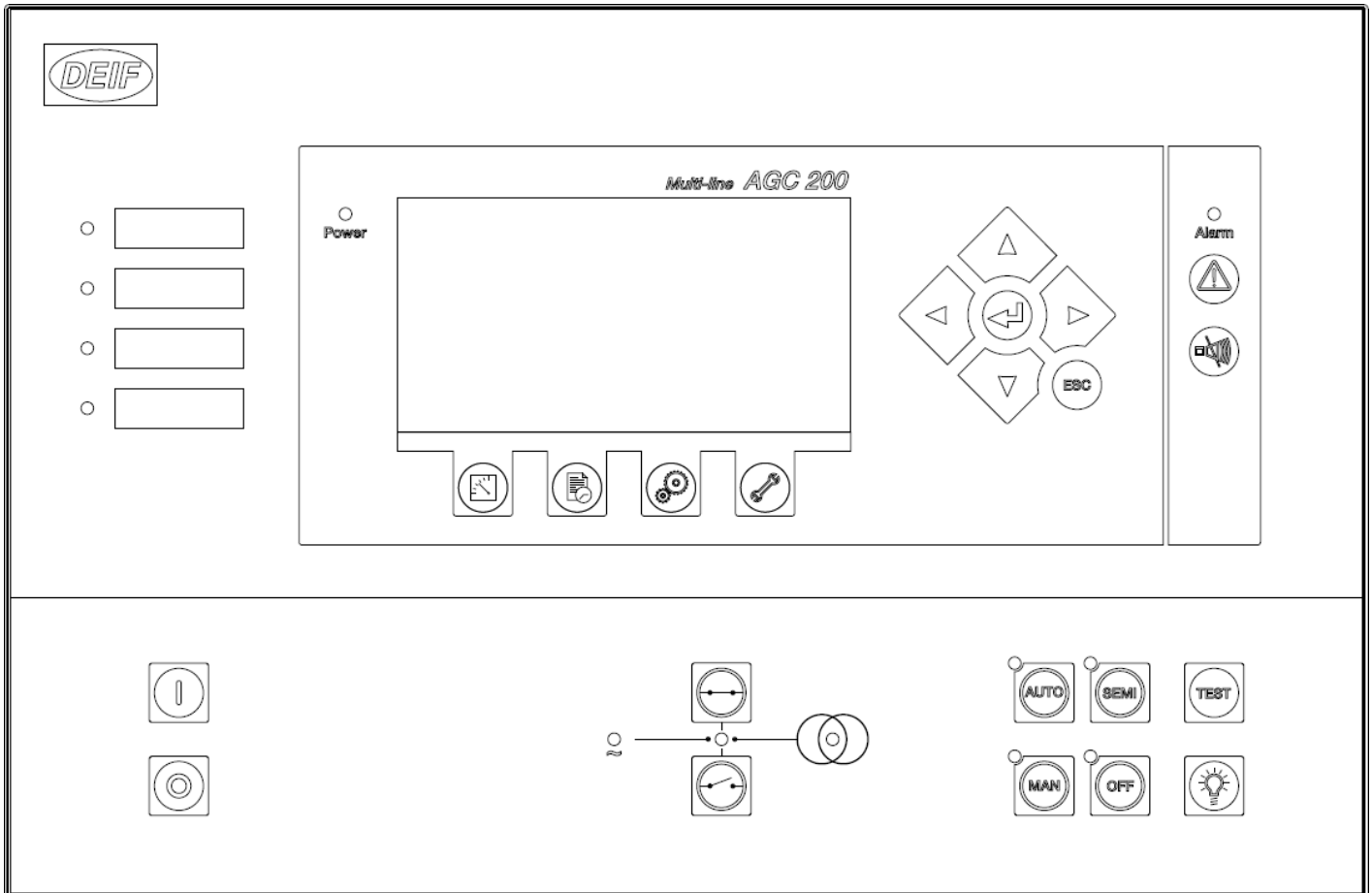
## 4.1.2 Display layout - AGC 213, 233, 243



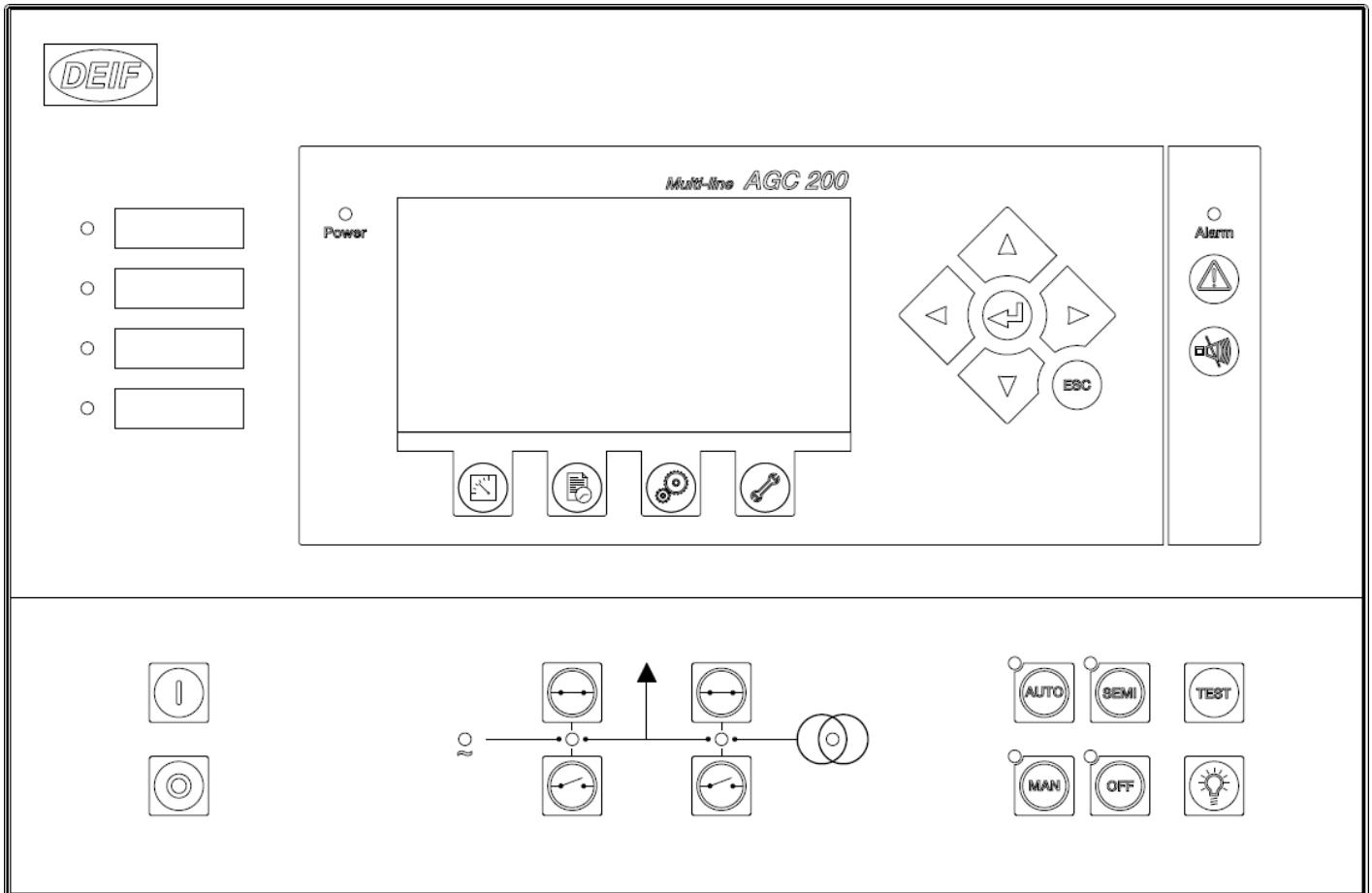
### 4.1.3 Display layout - AGC 244



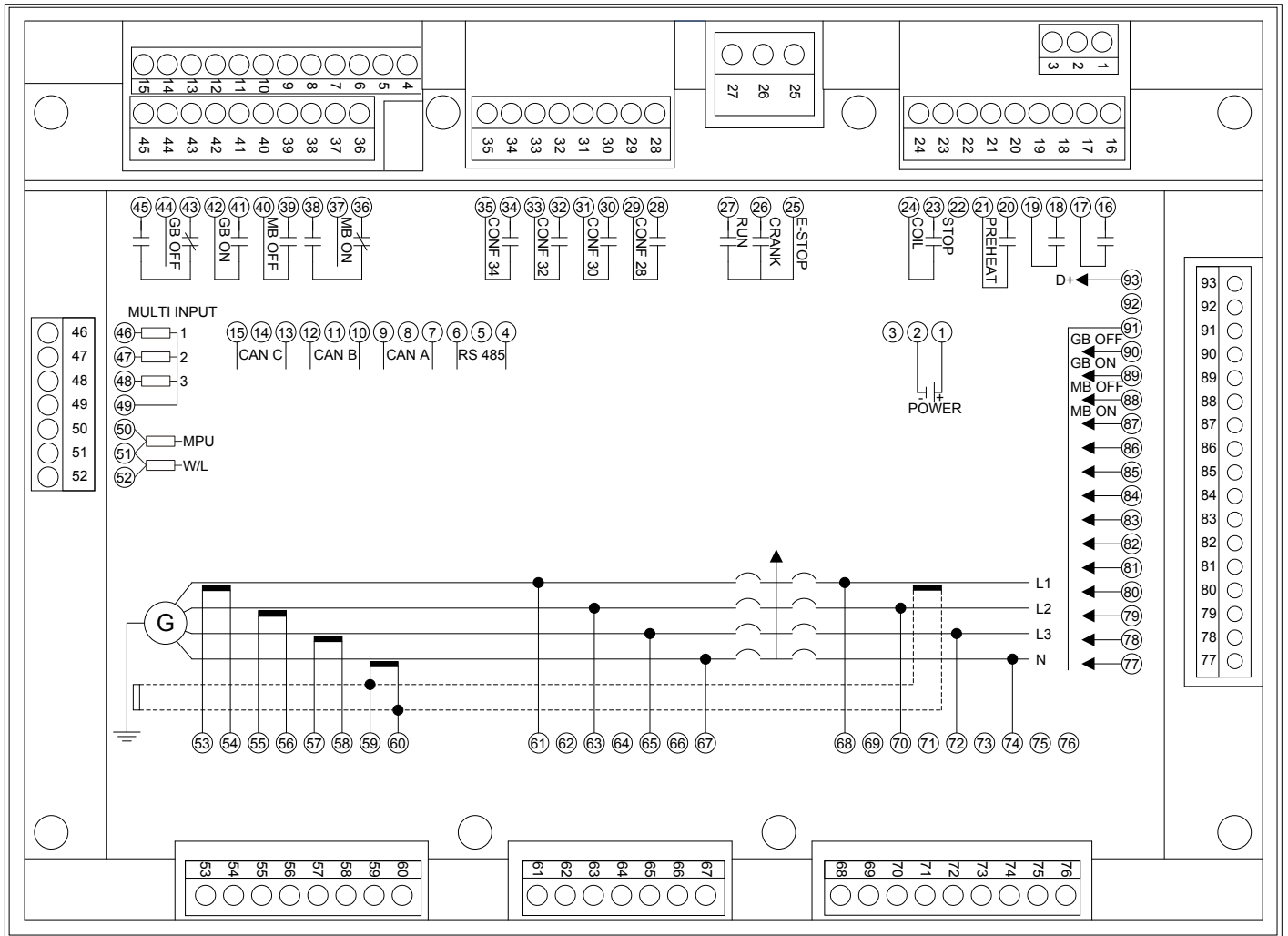
#### 4.1.4 Display layout - AGC 245



### 4.1.5 Display layout - AGC 246



## 4.1.6 Rear side view



Available CAN bus lines for the different AGC 200 variants.

	AGC 21x	AGC 22x	AGC 23x	AGC 24x
CAN A			X	X
CAN B		X	X	X
CAN C (engine communication)	X	X	X	X



### INFO

Terminals 28-35 + 22-24 and 77-83 are not available in AGC 21x and 22x.

## 5. Technical specifications

### 5.1 Technical specifications table

<b>Accuracy</b>	Class 1.0
	-40 to <u>15 to 30</u> to 70 °C
	Temperature coefficient: +/-0.2 % of full scale per 10 °C
	Short circuit: 5 % of 3.5*nominal current
	Earth current: 2 % of 1 A or 5 A To IEC/EN 60688
<b>Operating temperature</b>	-25 to 70 °C (-13 to 158 °F)
	UL/cUL Listed: Max. ambient temp. 50 °C/122 °F
	With option L2: -40 to 70 °C (-40 to 158 °F)
<b>Storage temperature</b>	-40 to 70 °C (-40 to 158 °F)
<b>Climate</b>	97 % RH to IEC 60068-2-30
<b>Operating altitude</b>	Up to 4000 m above sea level
<b>Measuring voltage</b>	100 to 690 V AC (+20 %) (above 2000 m max. 480 V AC)
	UL/cUL Listed: 100 to 600 V AC
	Phase to phase
	Load: 1.5 MΩ
<b>Frequency</b>	30 to 70 Hz
<b>Measuring current</b>	1 A or 5 A AC from current transformer
	Consumption max.: 0.3 VA/phase
	UL/cUL Listed: Use listed or R/C (XODW2.8) current transformers
<b>Current overload</b>	The unit has been tested with the following currents:
	I <sub>n</sub> 20 A: 60 s
	I <sub>n</sub> 100 A: 10 s
	I <sub>n</sub> 300 A: 1 s
<b>Magnetic pickup input</b>	Voltage: 2 to 70 V peak
	Frequency: 10 to 10000 Hz
	Resistance: 250 to 3000 Ω
<b>Aux. supply</b>	6 to 36 V DC continuously



	<p>UL/cUL Listed: 9 to 32.5 V DC</p> <p>0 V DC for 50 ms when coming from at least 12 V DC (cranking dropout)</p> <p>Reverse protection: -36 V continuously</p> <p>Battery voltage measurement accuracy:  <math>\pm 0.8</math> V within 8 to 30 V DC at -25 °C to 70 °C  <math>\pm 0.5</math> V within 8 to 30 V DC at 20 °C</p> <p>Max. 25 W consumption</p> <p>With option L2 -40 °C (-40 °F)  Max. 45 W consumption</p> <p>The aux. supply inputs are to be protected by a 12 A slow-blow fuse</p>
<b>Passive binary input voltage</b>	<p>Bi-directional optocoupler</p> <p>ON: 8 to 36 V DC  &lt;2 V: OFF</p> <p>Impedance: 4.7 k<math>\Omega</math></p>
<b>Emergency stop input voltage</b>	<p>ON: +8 to 36 V DC (term. 25)</p> <p>&lt;2 V: OFF</p> <p>Impedance: 4.7 k<math>\Omega</math></p>
<b>Multi-functional inputs</b>	<p>Current input: 0(4) to 20 mA  From active transmitter: 0 to 20 mA, +/-1 %  Impedance: 50 <math>\Omega</math></p> <p>Binary input: Dry contact inputs 3 V DC internal supply, with cable supervision  Max. resistance for ON detection: 100 <math>\Omega</math></p> <p>Pt100: -40 to 250 °C (-40 to 482 °F) +/-1 %  To IEC/EN 60751</p> <p>RMI: 0 to 2500 <math>\Omega</math>, +/-1 %</p>
<b>Relay outputs, electrical rating</b>	<p><b>Relays 16 to 20 and 28 to 43</b> : 250 V AC/30 V DC 8 A (above 2000 m max. 150 V AC)  UL/cUL Listed: 250 V AC/30 V DC 6 A General use B300 Pilot duty (above 2000 m max. 150 V AC)  <b>Caution:</b> When working voltage is above 150 V AC, do not mix AC and DC voltage inside relay group 16 to 20 or inside relay group 28 to 43</p> <p><b>Relay 23:</b> 30 V DC 8 A  UL/cUL Listed: 24 V DC 8 A General use</p> <p><b>Relay 26 and 27</b> : 24 V DC 16 A or 30 V DC 8 A  UL/cUL Listed: 24 V DC 16 A General use</p>
<b>Galvanic separation</b> AGC 222, 232 AGC 242, 243 AGC 244 AGC 245, 246 AGC 212, 213	<p>Between AC voltage and other I/Os: 3250 V AC, 50 Hz, 1 minute</p> <p>Between AC current and other I/Os: 2200 V AC, 50 Hz, 1 minute</p> <p>Between relay outputs and other I/Os: 2200 V AC, 50 Hz, 1 minute</p> <p>Between aux. supply and other I/Os: 550 V AC, 50 Hz, 1 minute.</p> <p>Between binary input groups and other I/Os: 550 V AC, 50 Hz, 1 minute</p> <p>Between analogue input groups and other I/Os: 550 V AC, 50 Hz, 1 minute</p> <p>The same as above, but with no galvanic separation on analogue input groups</p>

<b>Mounting</b>	Panel-mounted
<b>Front size</b>	312 × 219 mm (122.8 × 86.2 in)
<b>Panel cutout</b>	297 × 204 mm (11.69 × 8.03 in) Tolerance: +0.4/-0 mm
<b>Display</b>	240 × 128 pixel backlight STN
<b>Safety</b>	To EN 61010-1, installation category (over-voltage category) III, 600 V, pollution degree 2  To UL508 and CSA22.2 No. 14-05 Installation category (over-voltage category) III, 600 V, pollution degree 2
<b>Protection</b>	Front: IP52/NEMA type 1 (IP66/NEMA type 1 with gasket, option L1) Terminals: IP20/NEMA type 1 To IEC/EN 60529
<b>EMC/CE</b>	To EN 61000-6-2/4 IEC 60255-26 IEC 60533 power distr. zone IACS UR E10 power distr. zone
<b>Vibration</b>	3 to 13.2 Hz: 2 mm <sub>pp</sub> . 13.2 to 100 Hz: 0.7 g. To IEC 60068-2-6 and IACS UR E10 10 to 58.1 Hz: 0.15mm <sub>pp</sub> . 58.1 to 150 Hz: 1 g. To IEC 60255-21-1 Response (class 2) 10 to 150 Hz: 2 g. To IEC 60255-21-1 Endurance (class 2) 3 to 8.15 Hz: 15mm <sub>pp</sub> . 8.15 - 35Hz 2g. To IEC 60255-21-3 Seismic (class 2)
<b>Shock</b>	10 g, 11 ms, half sine. To IEC 60255-21-2 Response (class 2) 30 g, 11 ms, half sine. To IEC 60255-21-2 Endurance (class 2) 50 g, 11 ms, half sine. To IEC 60068-2-27
<b>Bump</b>	20 g, 16 ms, half sine. To IEC 60255-21-2 (class 2)
<b>Material</b>	All plastic materials are self-extinguishing according to UL94 (V1)
<b>Plug connections</b>	AC voltage/current inputs: 3.5 mm <sup>2</sup> (13 AWG) multi-stranded  Other: 1.5 mm <sup>2</sup> (16 AWG) multi-stranded  Service port: USB 2.0 type B  TCP/IP: RJ 45 Tightening torque: For further information, see the "Installation Instructions"
<b>Approvals</b>	UL/cUL Listed to UL508  UL/cUL Recognized to UL6200
<b>Weight</b>	AGC 200: 1.6 kg (3.5 lbs)  Option J6: 0.2 kg (0.4 lbs)  AOP-2: 0.4 kg (0.9 lbs)
<b>Response times</b> (Delay set to minimum)	<b>Busbar:</b> Over-/under-voltage: < 50 ms Over-/under-frequency: < 50 ms  <b>Generator:</b> Reverse power: <200 ms Over-current: <200 ms Short circuit: < 40 ms Directional over-current: <100 ms Over-/under-voltage: <200 ms Over-/under-frequency: <300 ms Overload: <200 ms Current unbalance: <200 ms

Voltage unbalance: <200 ms  
React. power import: <200 ms  
React. power export: <200 ms  
Negative sequence I: <400 ms  
Negative sequence U: <400 ms  
Zero sequence I: <400 ms  
Zero sequence U: <400 ms  
Overspeed: <400 ms  
Digital inputs: <250 ms  
Analogue input: <250 ms  
Emergency stop: <200 ms  
Earth current: <100 ms

**Mains:**

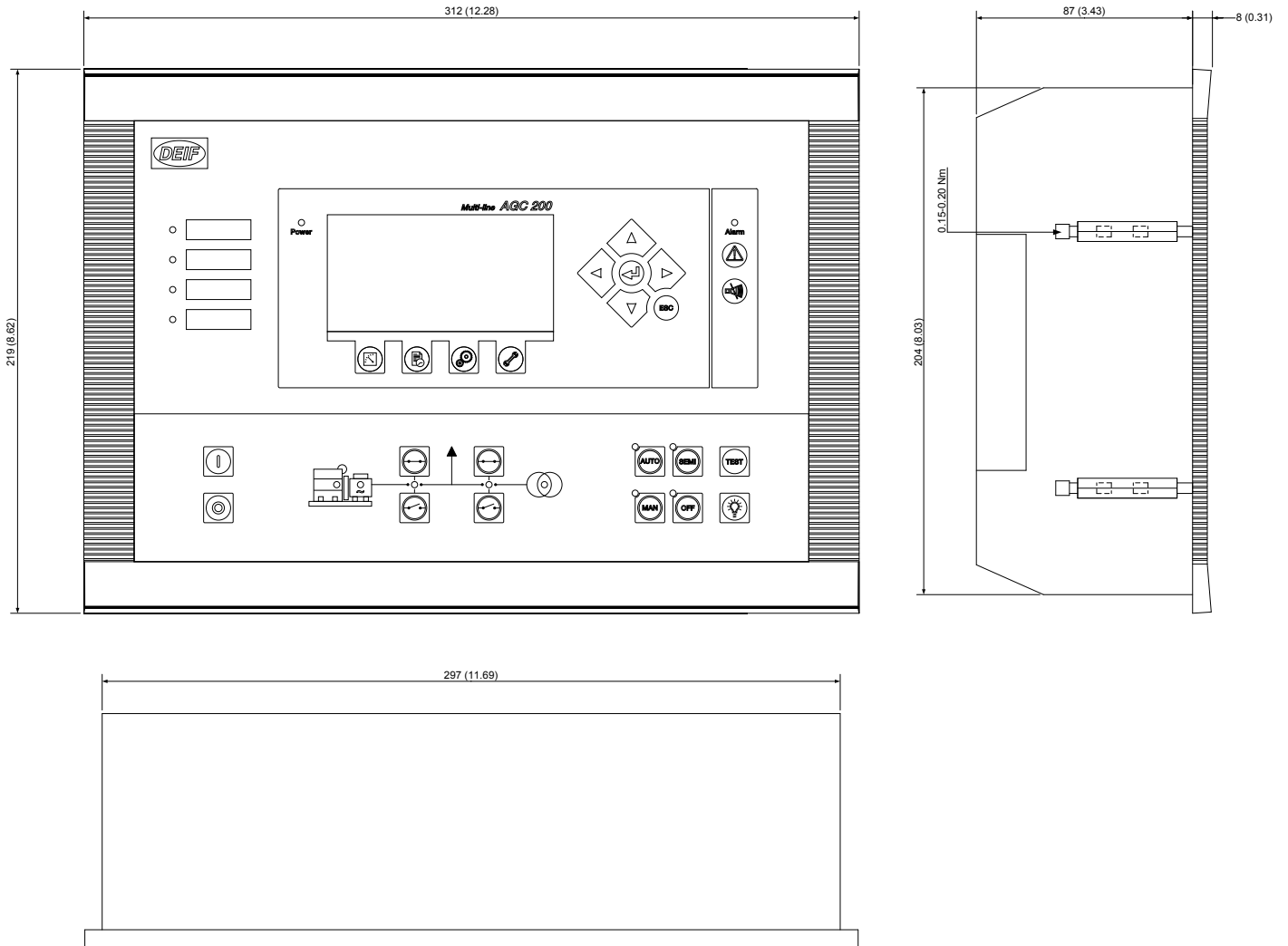
df/dt (ROCOF): <130 ms  
(4 periods)  
Vector jump: < 40 ms  
Positive sequence: < 60 ms  
Time-dependent under-voltage,  $U_t < 50$  ms  
Under-voltage and reactive power low,  $U_Q < 250$  ms

**UL markings**

Wiring: Use 60/75 °C copper conductors only  
Wire size: AWG 30-12  
Terminal tightening torque: 5-7 lb-in  
Mounting: For use on a flat surface of a type 1 enclosure  
Installation: To be installed in accordance with the NEC (US) or the CEC (Canada)

## 6. Unit dimensions

### 6.1 Unit dimensions in mm (inches)



## 7. Ordering information

### 7.1 Order specifications and disclaimer

#### 7.1.1 Variants

Mandatory information			Additional options to the standard variant					
Item no.	Type	Variant no.	Option	Option	Option	Option	Option	Option

#### 7.1.2 Example

Mandatory information			Additional options to the standard variant					
Item no.	Type	Variant no.	Option	Option	Option	Option	Option	Option
2912420060-21	AGC 232	21	C2	H2	L2			

#### 7.1.3 Accessories

Mandatory information		
Item no.	Type	Accessory

#### 7.1.4 Example

Mandatory information		
Item no.	Type	Accessory
1022040055	Accessory for AGC 200	Ethernet cable - 3 m crossed (J4)

#### 7.1.5 Disclaimer

DEIF A/S reserves the right to change any of the contents of this document without prior notice.

The English version of this document always contains the most recent and up-to-date information about the product. DEIF does not take responsibility for the accuracy of translations, and translations might not be updated at the same time as the English document. If there is a discrepancy, the English version prevails.