

SIMPLE BUFFERS TYPE E



Rigid buffers used as end stops or to limit the stroke of moving parts give rise to high impact stresses to structures often causing visible deterioration. This is normally accompanied by unacceptably high noise levels to the human ear, particularly when these impacts are repeated periodically. Rubber buffers eliminate these drawbacks considerably, as they dampen noise and absorb energy. The simple buffer is a flat surface and therefore responds immediately to impact, without over-extending the stroke of the moving part. The progressive buffer has a conical form and therefore makes contact on a progressive basis, increasing deflection with increasing load. This action provides gradual arrest of moving parts, absorbing considerable energy, prohibiting instant high impact stresses.

TECHNICAL CHARACTERISTICS

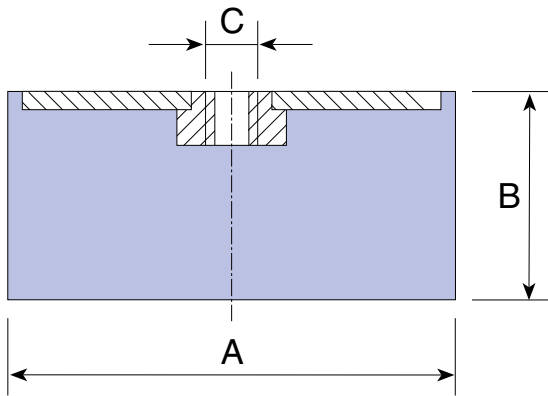
These buffers are made with a rubber compound permitting major deformations under impact with notable absorptions of energy. They can be made with high-damping rubber to order, however absorption of energy in high damped compound buffers is performed with reduced rebound movement and with slightly higher transfer levels of stress to the structure.

APPLICATIONS

As buffers: In limiting impact stress. • End of stroke of spring or damper. • End of stroke of cranes and hoists. • Supporting fragile material or machinery in packaging applications.



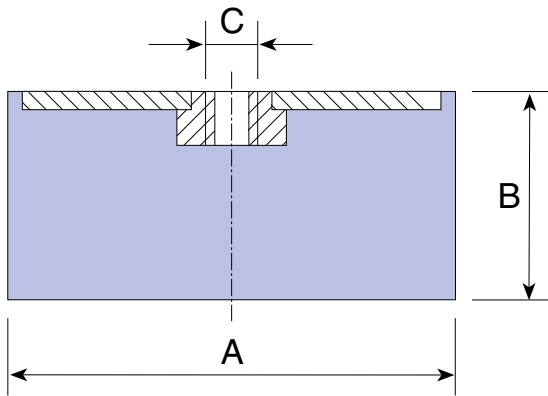
DRAWINGS



DIMENSIONS

Type	A (mm)	B (mm)	C (mm)	Weight (kg)	COMPRESSION LOAD Max. daN	COMPRESSION DEFLECT. mm	Code
SIMPLE BUFFERS TYPE E 12-25	12,5	10	M-5	0,004	12	2	111001
	12,5	15	M-5	0,004	10	3	111002
	12,5	20	M-5	0,004	8	3,5	111003
	16	10	M-5	0,005	20	1,5	111004
	16	15	M-5	0,006	20	3	111005
	16	20	M-5	0,007	15	4	111006
	16	25	M-5	0,008	15	5	111007
	20	8,5	M-6	0,008	40	1,5	111008
	20	15	M-6	0,008	35	4	111009
	20	20	M-6	0,011	30	5	111010
	20	25	M-6	0,012	30	5,5	111011
	20	30	M-6	0,015	25	7	111012
	25,5	10	M-6	0,015	80	2	111091
	25,5	15	M-6	0,016	60	3,5	111092
	25,5	20	M-6	0,021	55	4,5	111093
	25,5	25	M-6	0,023	50	6	111094
	25,5	30	M-6	0,026	50	8	111095
	25,5	10	M-8	0,017	80	2	111013
	25,5	15	M-8	0,019	60	3,5	111014
	25,5	19	M-8	0,021	55	4,5	111015
25,5	22	M-8	0,024	50	5,5	111016	
25,5	25	M-8	0,025	50	6	111017	
25,5	30	M-8	0,029	50	8	111018	
25,5	40	M-8	0,033	50	10	111019	

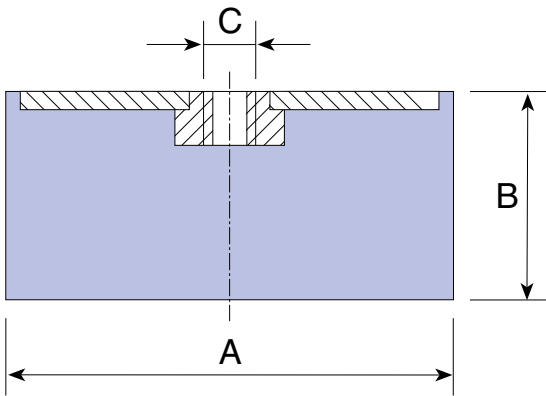
DRAWINGS



DIMENSIONS

Type	A (mm)	B (mm)	C (mm)	Weight (kg)	COMPRESSION LOAD Max. daN	COMPRESSION DEFLECT. mm	Code
SIMPLE BUFFERS TYPE E 30-50	30	15	M-8	0,025	90	3	111020
	30	22	M-8	0,028	80	5	111021
	30	25	M-8	0,034	75	6,5	111101
	30	30	M-8	0,038	70	8	111022
	30	40	M-8	0,045	60	9	111023
	40	20	M-8	0,051	160	5	111112
	40	25	M-8	0,056	150	6	111113
	40	28	M-8	0,061	150	6	111114
	40	30	M-8	0,063	150	6	111115
	40	35	M-8	0,071	120	8	111116
	40	40	M-8	0,071	120	10	111117
	40	45	M-8	0,085	120	11	111118
	40	20	M-10	0,054	160	5	111024
	40	25	M-10	0,059	150	6	111110
	40	28	M-10	0,065	150	6	111025
	40	30	M-10	0,066	150	6	111111
	40	35	M-10	0,075	120	8	111026
	40	40	M-10	0,081	120	10	111027
	40	45	M-10	0,089	120	11	111028
	50	20	M-10	0,084	300	5	111121
	50	25	M-10	0,088	300	6	111029
	50	30	M-10	0,101	275	7	111122
	50	35	M-10	0,111	250	8	111030
	50	40	M-10	0,124	210	10	111123
	50	45	M-10	0,134	190	11	111031
	50	50	M-10	0,151	170	11	111124
50	60	M-10	0,166	150	11	111032	

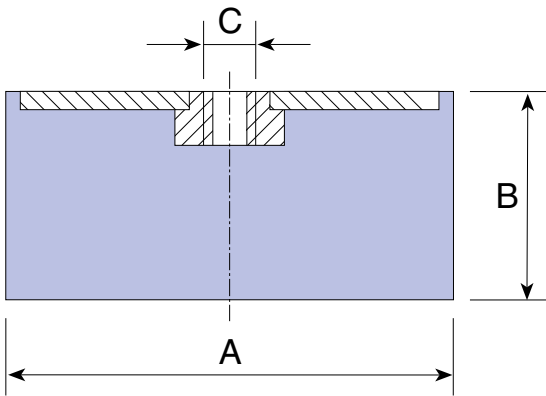
DRAWINGS



DIMENSIONS

Type	A (mm)	B (mm)	C (mm)	Weight (kg)	COMPRESSION LOAD Max. daN	COMPRESSION DEFLECT. mm	Code
SIMPLE BUFFERS TYPE E 60-95	60	25	M-10	0,138	400	6	111033
	60	36	M-10	0,171	300	9	111034
	60	45	M-10	0,197	250	11	111035
	60	60	M-10	0,246	200	12	111036
	70	35	M-10	0,225	450	8	111037
	70	50	M-10	0,287	350	11	111038
	70	60	M-10	0,327	300	12	111039
	70	70	M-10	0,396	300	14	111040
	75	25	M-12	0,201	650	7	111041
	75	40	M-12	0,277	500	9	111042
	75	45	M-12	0,3	500	10	111043
	75	55	M-12	0,348	450	11	111044
	80	30	M-14	0,283	950	7	111045
	80	40	M-14	0,335	600	9	111046
	80	50	M-14	0,382	550	10	111047
	80	55	M-14	0,411	550	11	111048
	80	70	M-14	0,495	500	13	111049
	80	75	M-14	0,515	450	14	111050
	95	40	M-16	0,521	1200	8	111051
	95	55	M-16	0,642	1000	11	111052
95	60	M-16	0,691	800	12	111053	
95	75	M-16	0,84	700	13	111054	

DRAWINGS



DIMENSIONS

Type	A (mm)	B (mm)	C (mm)	Weight (kg)	COMPRESSION LOAD Max. daN	COMPRESSION DEFLECT. mm	Code
SIMPLE BUFFERS TYPE E 105-150	105	50	M-16	0,71	1200	9	111055
	105	75	M-16	0,956	1000	13	111056
	105	100	M-16	1,19	800	16	111057
	120	50	M-16	0,856	1500	9	111058
	120	75	M-16	1,203	1200	13	111059
	120	100	M-16	1,52	1000	16	111060
	130	50	M-16	1,19	1600	9	111062
	130	75	M-16	1,57	1450	13	111063
	130	100	M-16	1,958	1200	16	111064
	150	50	M-20	1,537	1800	9	111065
	150	75	M-20	2,557	1650	13	111066
	150	100	M-20	2,639	1400	16	111067

OPERATION AND ASSEMBLY



These buffers can be used in these two ways: As actual buffers - impact taking place at an end of a stroke, taking into account the maximum deflection the stop has to give. As flexible mounts where the buffers may be screwed to the base of the machine so that its flat surface rests directly on the floor or ground.

ADVANTAGES



; Easy to install . • High efficiency when used as mount or buffer.; Flexibility in moving machines which are not secured to the floor or ground, or of moving the buffers to different points where ends of stroke may be made.