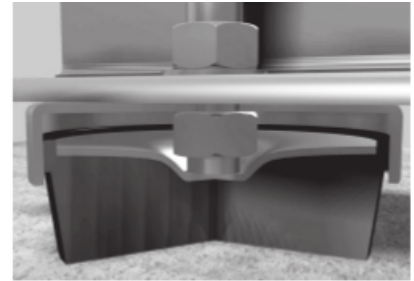


# LEVELLING MACHINE MOUNTS NF



The NF-type AMC Mekanocaucho® mounts are used in cases where light or heavy machines are not fixed to the floor or ground. The height adjustment system can be used to adjust the machines to the required level, thus insulating areas nearby from vibrations and reducing noise. The AMC-Mekanocaucho® type NF comes with a tilting system accomodating uneven surfaces. The elastomer used is a mixture of oil-resistant synthetic Nitrile Butadyene Rubber (NBR).



DRAWINGS

FIG. 1

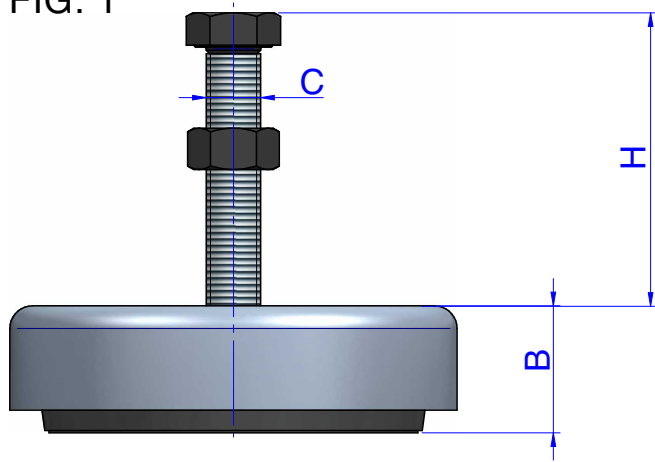
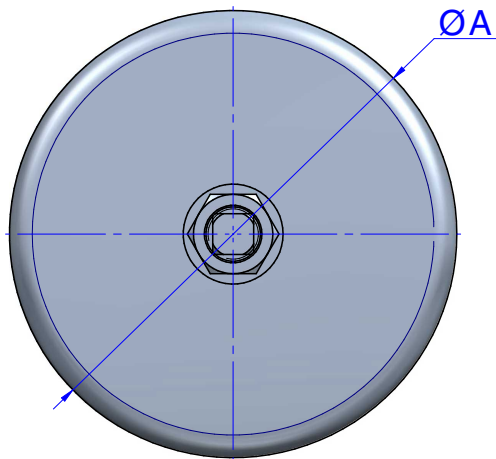
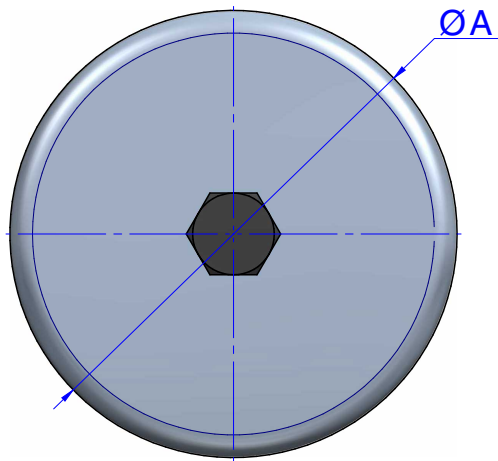
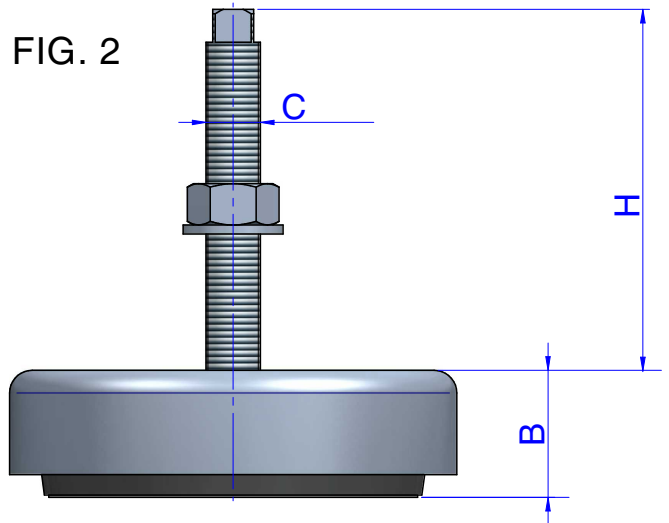


FIG. 2



DIMENSIONS

Type	A (mm)	B mm Min	B mm Máx	B mm Reglaje	STATIC LOAD Nominal kg	DEFLECTION mm	Weight (gr.)	C (mm)	H mm Min	H mm Máx	FIG.	Code
NF-65	65	27	34	7	320	2	349	M-12x1,75	105	110	1	142001
								M-12x1,75	78	85	2	142017
NF-85	85	33	46	13	650	2	732	M-16x2	114	127	1	142002
								M-16x2	82	95	2	142018
NF-100	100	35	48	13	980	2	960	M-16x2	120	130	1	142003
								M-16x2	82	95	2	142019
NF-130	130	45	58	13	2500	3	1675	M-20x2,5	130	140	1	142004
								M-16x1,5	67	80	2	142023
								M-16x1,5	99	112	2	142028
NF-160	160	53	66	13	4000	3	3397	M-20x2,5	130	140	1	142005
								M-20x1,5	62	75	2	142024
								M-20x1,5	135	145	2	142026
NF-200	200	55	68	13	5000	3	4958	M-24x3	158	176	1	142006
								M-24x1,5	158	176	2	142025
								M-24x1,5	81	94	2	142027
NF-250	250	67	85	18	7000	3	8575	M-30x2	153	176	1	142007



**AMC MECANOCAUCHO**  
Industrialdea Zona A - Pab. 35.  
Asteasu E-20159, Gipuzkoa  
Spain



Tel.: +34 943 69 61 02  
Fax: +34 943 69 62 19



[sales@amcsa.es](mailto:sales@amcsa.es)



[www.mecanocaucho.com](http://www.mecanocaucho.com)  
[www.akustik.com](http://www.akustik.com)

### OPERATION AND ASSEMBLY



Height is adjusted by means of a screw, once the machine has been assembled. The wide contact between the base of the machine guarantees good overall stability.

Lift the machine and insert the mount under it. Insert and turn the screw manually until it can be wound into the thread in the mount . Adjust the height of the machine by turning the screw. When the machine is level , lock the mounts using the checknuts.