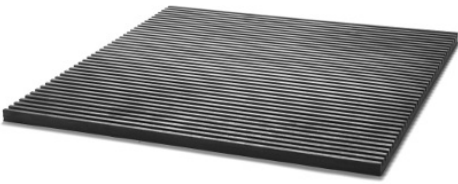


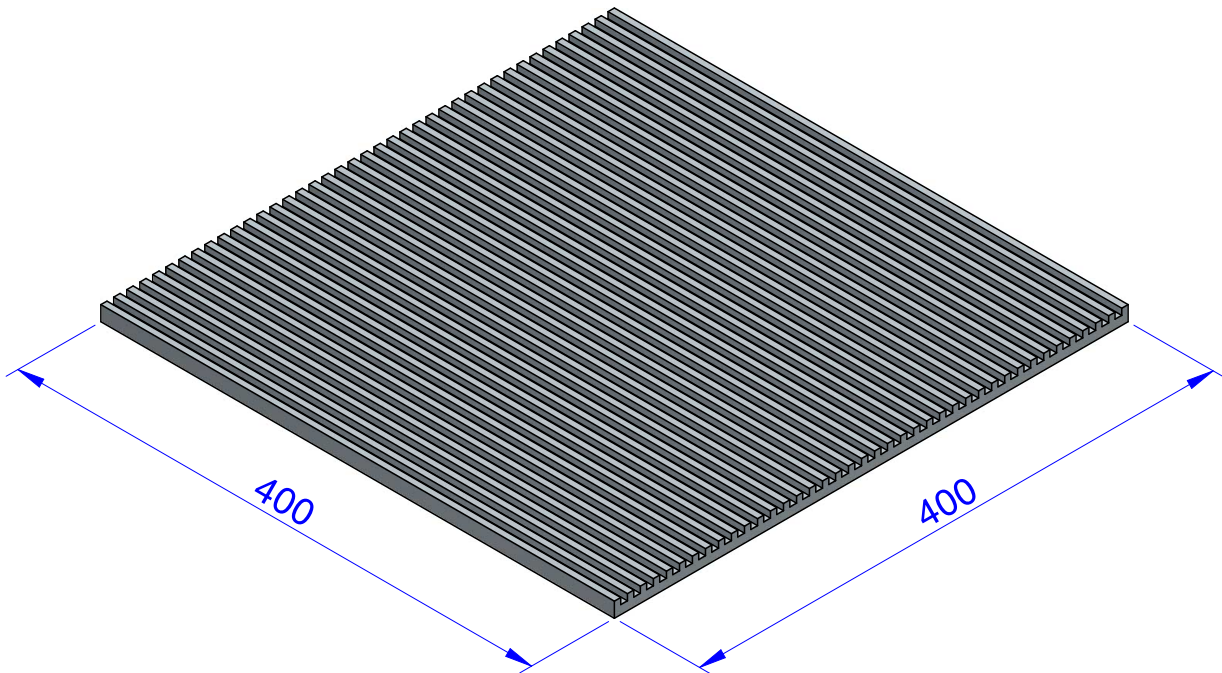
RUBBER BLOCKS AND MATS 400 X 400



There is a variety of mats available in different sizes, rubber grades and hardnesses. The most classic use is for damping high frequency vibrations without the need for anchoring machinery to the floor. The user cuts them to the relevant size and can apply them to the base of the machine using an adhesive, or simply placing them under the base of the machine as required. In cases where contact with oils is foreseen, this should be indicated on the order. The mats can be suitably elastic or anti-skid, depending on the different models.



DRAWINGS



DIMENSIONS

Type	Max. Load kg/cm ²	Weight (kg)	THICKNESS (mm)	Code
RUBBER BLOCKS AND MATS 400 x 400	6	1,471	12	152003