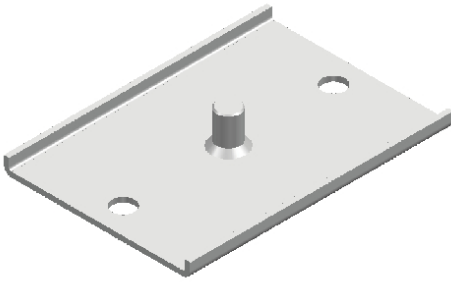


Vibrabsorber
BASES 1AMC

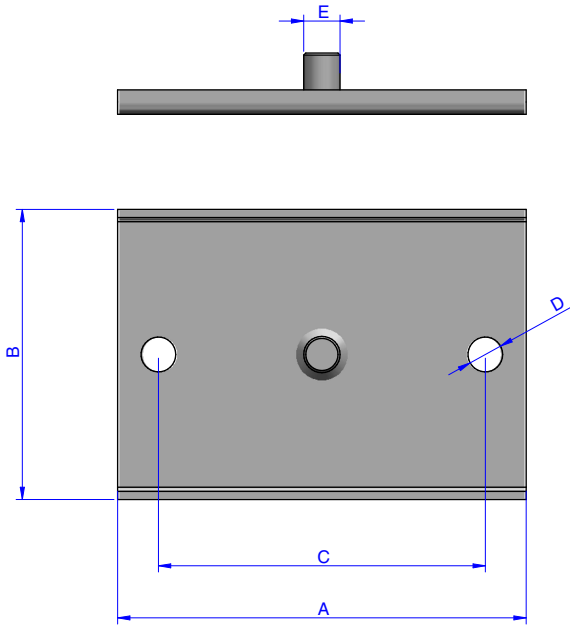


You can mount the springs yourself with bases and fixing kit AMC.



Vibrabsorber **BASES 1AMC**

DRAWINGS



DIMENSIONS

Type	A (mm.)	B (mm.)	C (mm.)	D (mm.)	E (mm.)	Code
Small	100	71	80	8,5	M-8	612034
Big	140	100	120	12	M-12	612035