

Vibrabsorber
BASES 4AMC



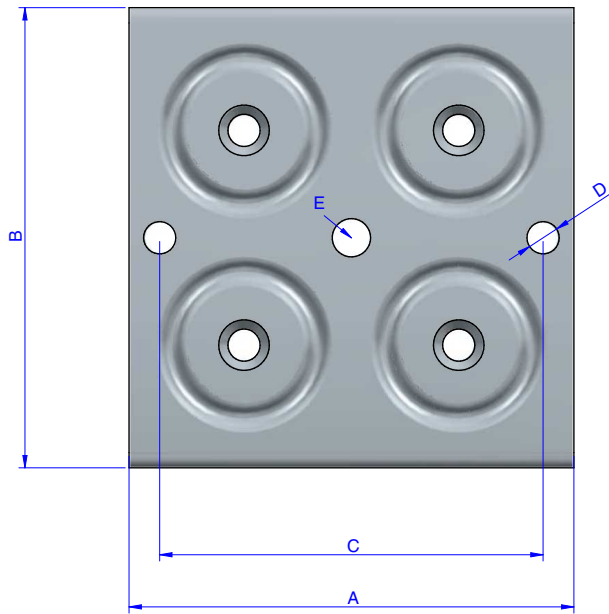
You can mount the springs yourself with bases and fixing kit AMC.



Vibrabsorber

BASES 4AMC

DRAWINGS



DIMENSIONS

Type	A (mm)	B (mm)	C (mm)	D (mm)	E (mm)	Weight (kg)	Code
Ø75	210	205	186	10,5	M-16	-	612032
Ø90	250	230	230	10,5	M-16	-	612033
M12x25 Screw DIN7991 Allen						-	611278