

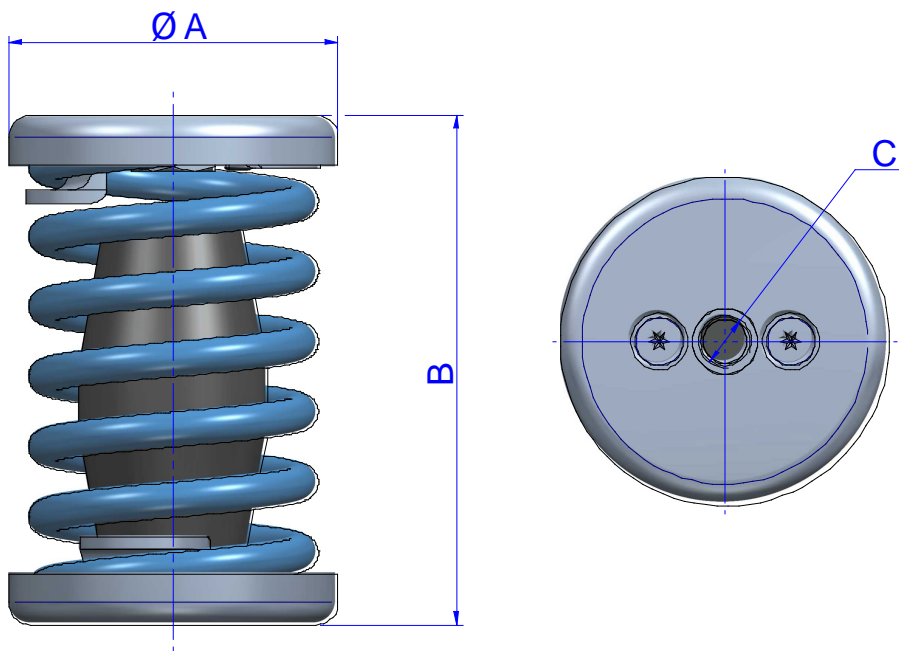
1 AMC DOUBLE BOWL



With dual cup springs, you can do yourself the installation of the springs.



DRAWINGS



DIMENSIONS

Type	A (mm)	B (mm)	Spring color	C (mm)	Max. Load (kg)	Weight (kg)	Code
150	75	116	BLUE	M-12	150	1,102	20309
200	75	116	WHITE	M-12	200	1,138	20310
250	75	116	BLACK	M-12	250	1,225	20320
350	75	116	CREAM	M-12	350	1,392	20330
500	90	116	LIGHT GREY	M-12	500	2,56	20340
750	90	116	GREEN	M-12	750	2,56	20350