

ATP ANTI VIBRATION MOUNTS



AMC-MECANOCAUCHO® ATP type anti vibration mounts have been designed to provide effective vibration isolation of medium to high frequency applications in a variety of industrial machinery - generator sets, motor pumps, motor compressors, hydraulic units, etc. The top metal part is cup shaped to protect the rubber section from contamination by oil , grease , petrol diesel and other contaminants.

TECHNICAL CHARACTERISTICS

The compound used is based on a standard natural rubber specifically designed to have good ageing properties . Load capacities shown in catalogue are the maximum Static values with the capability of withstanding occasional extreme dynamic overloads . ATP mounts have stiffness values 4 times greater in the radial plane than the axial plane , providing effective resistance to transient lateral shock loads .

APPLICATIONS

- Suspension systems where it is deemed necessary to control any Pitching or Rolling movement which could strain external connections.
- Medium and high frequency motor compressor units.
- Gen sets.
- Hydraulic Units.
- Marine auxiliary units.
- Ventilators , etc .



DRAWINGS

FIG. 1

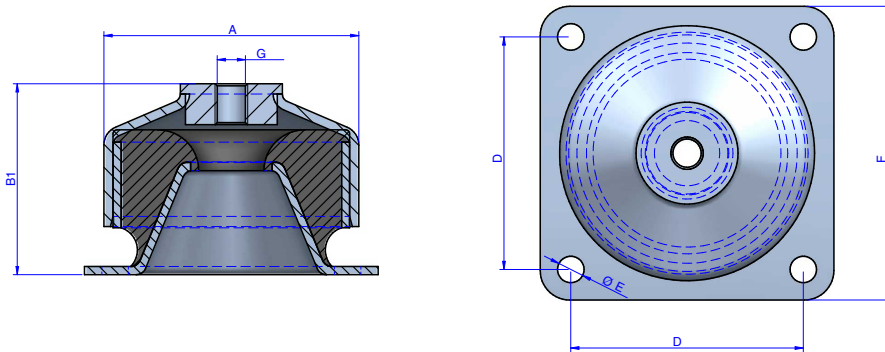
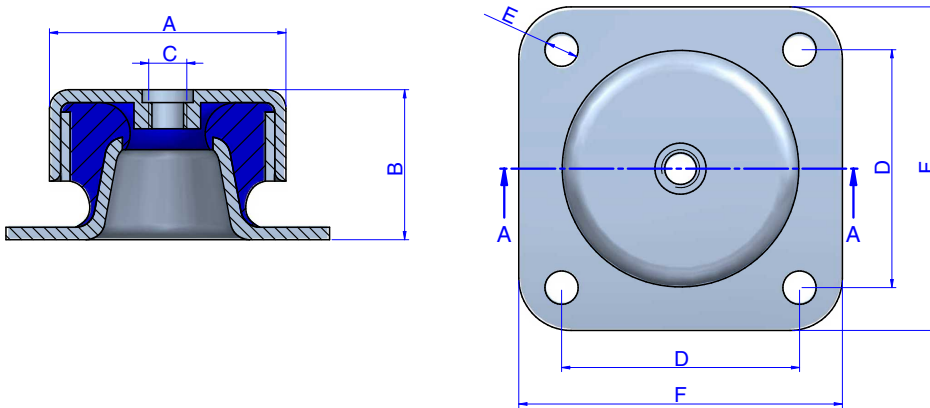


FIG. 2



DIMENSIONS

| Type | A (mm) | B (mm) | C (mm) | D (mm) | E (mm) | F (mm) | G (mm) | Weight (gr.) | B1 | Load (kg) | Shore | FIG. | Code |
|---------|--------|--------|--------|--------|--------|--------|--------|--------------|----|-----------|-------|------|--------|
| ATP 020 | 49,7 | 31,5 | M-8 | 50 | 7 | 68 | 16 | 143 | - | 50 | 45 Sh | 2 | 133101 |
| | | | | | | | | | | 75 | 60 Sh | 2 | 133102 |
| | | | | | | | | | | 100 | 75 Sh | 2 | 133103 |
| ATP 120 | 73,6 | 43 | M-10 | 72,2 | 9,2 | 90 | 32 | 379 | 53 | 70 | 45 Sh | 2 | 133104 |
| | | | | | | | | | | 120 | 60 Sh | 2 | 133105 |
| | | | | | | | | | | 175 | 75 Sh | 2 | 133106 |
| | | | | | | | | | | 70 | 45 Sh | 1 | 133151 |
| | | | | | | | | | | 120 | 60 Sh | 1 | 133152 |
| | | | | | | | | | | 175 | 75 Sh | 1 | 133153 |

DRAWINGS

FIG. 1

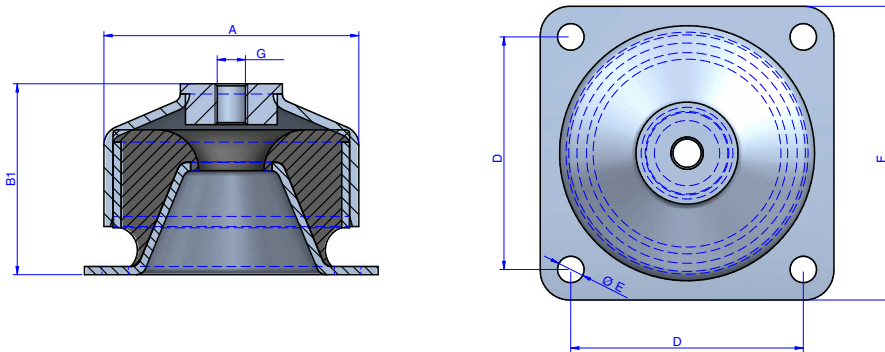
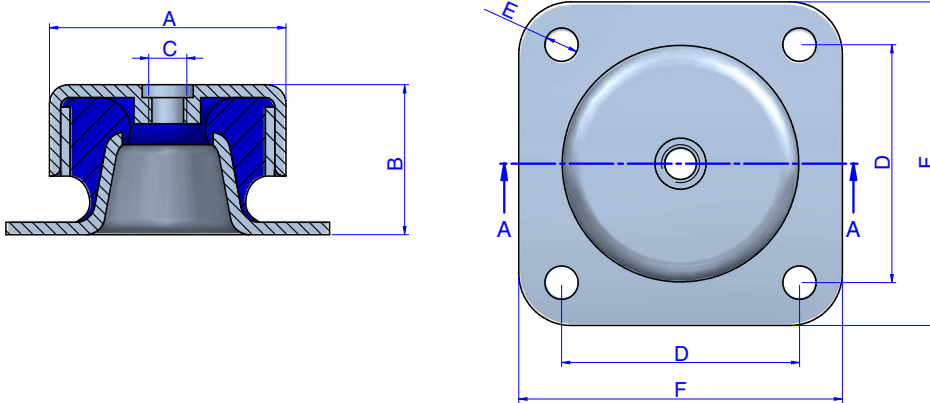


FIG. 2

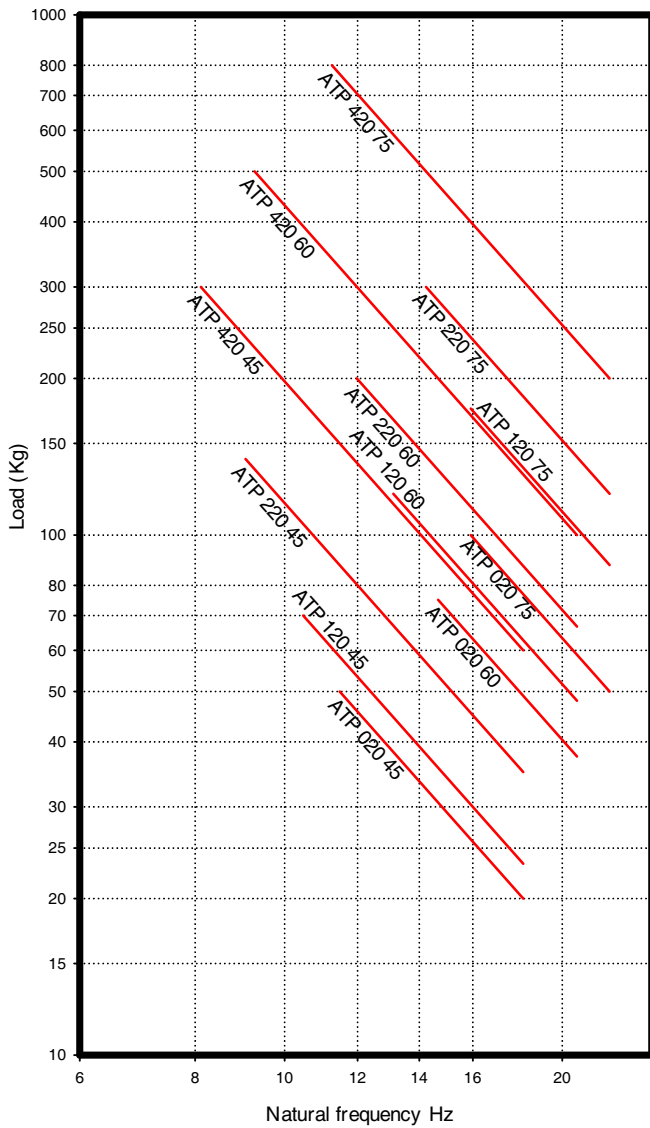


DIMENSIONS

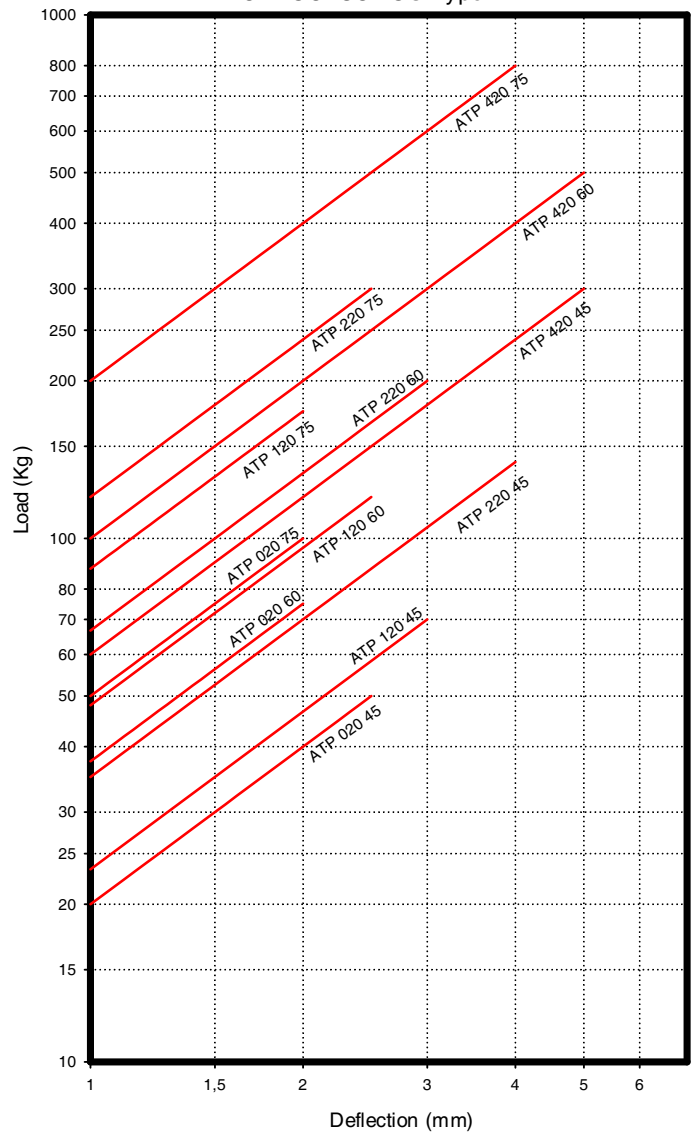
| Type | A (mm) | B (mm) | C (mm) | D (mm) | E (mm) | F (mm) | G (mm) | Weight (gr.) | B1 | Load (kg) | Shore | FIG. | Code |
|---------|--------|--------|--------|--------|--------|--------|--------|--------------|----|-----------|-------|------|--------|
| ATP 220 | 91 | 53 | M-12 | 90 | 11 | 114,2 | 36 | 618 | 63 | 140 | 45 Sh | 2 | 133107 |
| | | | | | | | | | | 200 | 60 Sh | 2 | 133108 |
| | | | | | | | | | | 300 | 75 Sh | 2 | 133109 |
| | | | | | | | | | | 140 | 45 Sh | 1 | 133154 |
| | | | | | | | | | | 200 | 60 Sh | 1 | 133155 |
| | | | | | | | | | | 300 | 75 Sh | 1 | 133156 |
| ATP 420 | 124,5 | 75 | M-16 | 114 | 13 | 144 | 60 | 1510 | 94 | 300 | 45 Sh | 2 | 133110 |
| | | | | | | | | | | 500 | 60 Sh | 2 | 133111 |
| | | | | | | | | | | 800 | 75 Sh | 2 | 133112 |
| | | | | | | | | | | 300 | 45 Sh | 1 | 133157 |
| | | | | | | | | | | 500 | 60 Sh | 1 | 133158 |
| | | | | | | | | | | 800 | 75 Sh | 1 | 133159 |

Elastical properties

NATURAL FREQUENCIES A MC
MECANOCAUCHO® Type ATP



LOAD DEFLECTION GRAPHS
MECANOCAUCHO® Type ATP



OPERATION AND ASSEMBLY



ATP mountings use the rubber section in a shear mode to achieve the best load /deflection values . Due to the interior design of the rubber section they have a progressive stiffness feature, preventing metal to metal contact in the case of impacts or extreme overload in transient shock conditions on mobile equipment . ATP mounts can be attached to the support structure by Set Screws or Bolts , or by threaded studs securely grouted to the floor to suit the base plate attachment holes .

ADVANTAGES



- Easily assembled to the machine and the support structure .
- Top metal cap protects the rubber section against various contaminants- diesel , oils , grease , petrol , etc .
- Effectiveness – three variations in hardness - Soft: A 45, Medium: B 60, Hard: C 75. This enables the user to choose each mount depending upon the load to be supported and the frequency of the vibrations to be attenuated.