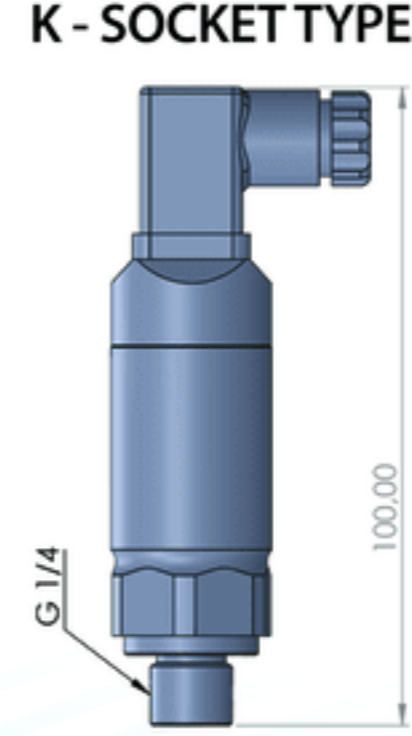
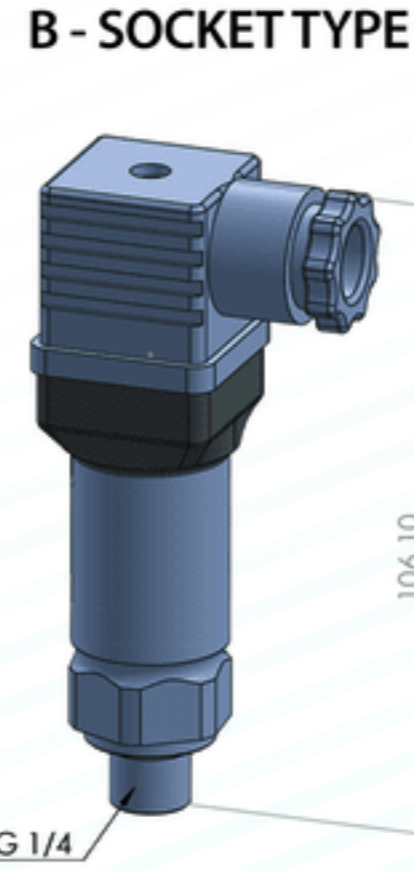
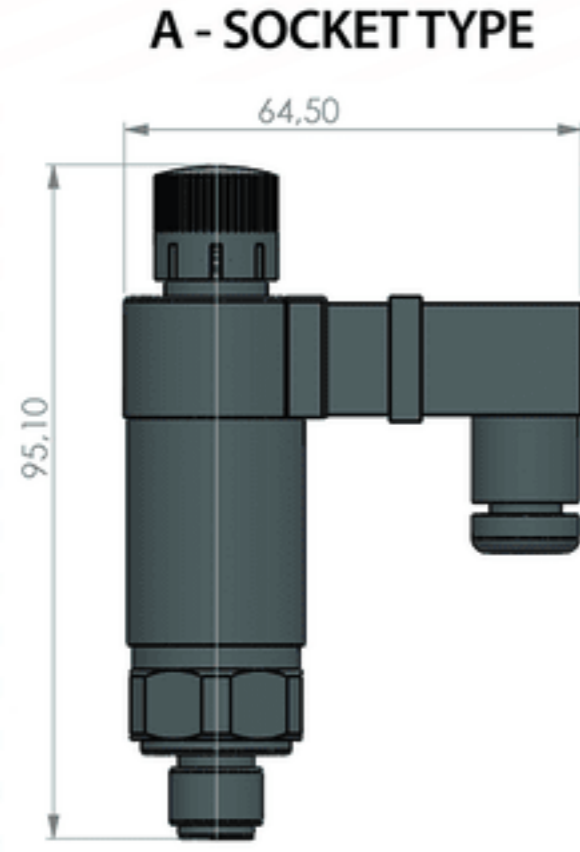


# Hidrolik ve Pnömatik Mini Basınç Şalteri

Hydraulic and Pneumatic  
Mini Pressure Switch



## Teknik Değerler - Technical Data

Tip Type	Ayar Aralığı Setting Range (Bar)	Maksimum Basınç Max. Pressure (Bar)	Elektrik Bağlantı Tipi Electrical Connection Type	Alt Bağlantı Bottom Connection
ELT-MPS-2	0,2 - 2,5	30	Açık Kontakt Normally Open (NO) Kapalı Kontakt Normally Close (NC)	S <sub>1</sub> / <sub>4</sub> S <sub>1</sub> / <sub>8</sub> ( <sup>1</sup> / <sub>4</sub> inch SAE) - ( <sup>1</sup> / <sub>8</sub> inch SAE) * Max 16 Bar
ELT-MPS-4	0,5 - 4	30		
ELT-MPS-6	0,5 - 6	30		
ELT-MPS-10	1 - 10	30		
ELT-MPS-16	1 - 16	30		
ELT-MPS-25	5 - 25	100		
ELT-MPS-40	5 - 40	100		
ELT-MPS-60	5 - 60	100		
ELT-MPS-100	10 - 100	300		
ELT-MPS-160	10 - 160	300		
ELT-MPS-200	10 - 200	600		
ELT-MPS-400	20 - 400	600		

## Gövde / Body

Max. Akışkan Sıcaklığı / Max. Fluid Temperature °C

Çelik / Pirinç / Paslanmaz - Steel / Brass / Stainless

Soket Bağlantı Tipleri / Socket Connector Type

-40 °C / +85°C

DIN 43650-A ; DIN 43650-C , Fast-On

Max. Gövde Sıcaklığı / Max. Body Temperature °C

-35 °C / +60°C

Koruma Sınıfı / Protection Class

IP64 ; IP54

## Elektriksel Özellikleri - Electrical Data

Çalışma Voltajı / Rating Voltage

250VAC / 1,5A - 125VAC / 3A - 125 VDC / 0,25 A

Çalışma Gerilimi / Rating Current

1A / 3A

Ömür Testi Sonuçları (Açma - Kapama)

Elektrik / Electrical

10.000

Life Test Results (Cycles)

Mekanik / Mechanical

5.000.000

## Sipariş Kodları - Order Code

Model	Ayar Aralığı Setting Range (Bar)	Soket Tipi Socket Connector Type	Gövde Body	Alt Bağlantı Bottom Connection																																																																																																	
ELT-	<table border="1"> <tr> <td>M</td><td>P</td><td>S</td><td>-</td><td>2</td><td>:</td><td>0,2-2,5</td> </tr> <tr> <td>M</td><td>P</td><td>S</td><td>-</td><td>4</td><td>:</td><td>0,5-4</td> </tr> <tr> <td>M</td><td>P</td><td>S</td><td>-</td><td>6</td><td>:</td><td>0,5-6</td> </tr> <tr> <td>M</td><td>P</td><td>S</td><td>-</td><td>1</td><td>0</td><td>:</td><td>1-10</td> </tr> <tr> <td>M</td><td>P</td><td>S</td><td>-</td><td>1</td><td>6</td><td>:</td><td>1-16</td> </tr> <tr> <td>M</td><td>P</td><td>S</td><td>-</td><td>2</td><td>5</td><td>:</td><td>5-25</td> </tr> <tr> <td>M</td><td>P</td><td>S</td><td>-</td><td>4</td><td>0</td><td>:</td><td>5-40</td> </tr> <tr> <td>M</td><td>P</td><td>S</td><td>-</td><td>6</td><td>0</td><td>:</td><td>5-60</td> </tr> <tr> <td>M</td><td>P</td><td>S</td><td>-</td><td>1</td><td>0</td><td>0</td><td>:</td><td>10-100</td> </tr> <tr> <td>M</td><td>P</td><td>S</td><td>-</td><td>1</td><td>6</td><td>0</td><td>:</td><td>10-160</td> </tr> <tr> <td>M</td><td>P</td><td>S</td><td>-</td><td>2</td><td>0</td><td>0</td><td>:</td><td>10-200</td> </tr> <tr> <td>M</td><td>P</td><td>S</td><td>-</td><td>4</td><td>0</td><td>0</td><td>:</td><td>20-400</td> </tr> </table>	M	P	S	-	2	:	0,2-2,5	M	P	S	-	4	:	0,5-4	M	P	S	-	6	:	0,5-6	M	P	S	-	1	0	:	1-10	M	P	S	-	1	6	:	1-16	M	P	S	-	2	5	:	5-25	M	P	S	-	4	0	:	5-40	M	P	S	-	6	0	:	5-60	M	P	S	-	1	0	0	:	10-100	M	P	S	-	1	6	0	:	10-160	M	P	S	-	2	0	0	:	10-200	M	P	S	-	4	0	0	:	20-400	<p>B...: DIN 43650-A</p> <p>K...: DIN 43650-C</p> <p>F...: FAST-ON</p> <p>A...: ELLE AYARLI (DIN 43650-C)</p>	<p>C...: Çelik / Steel</p> <p>B...: Pirinç / Brass</p> <p>P...: Paslanmaz / Stainless</p>	<p>S4...: S<sub>1</sub>/<sub>4</sub></p> <p>S8...: S<sub>1</sub>/<sub>8</sub> * Max 16 Bar</p>
M	P	S	-	2	:	0,2-2,5																																																																																															
M	P	S	-	4	:	0,5-4																																																																																															
M	P	S	-	6	:	0,5-6																																																																																															
M	P	S	-	1	0	:	1-10																																																																																														
M	P	S	-	1	6	:	1-16																																																																																														
M	P	S	-	2	5	:	5-25																																																																																														
M	P	S	-	4	0	:	5-40																																																																																														
M	P	S	-	6	0	:	5-60																																																																																														
M	P	S	-	1	0	0	:	10-100																																																																																													
M	P	S	-	1	6	0	:	10-160																																																																																													
M	P	S	-	2	0	0	:	10-200																																																																																													
M	P	S	-	4	0	0	:	20-400																																																																																													